



Installation instructions, accessories

Volvo Car Corporation Gothenburg, Sweden

Instruction No	Version	Part. No.
31399099	1.1	9487189, 31339994

Parking assistance camera wide angle front



IMG-374543



Installation instructions, accessories

Volvo Car Corporation Gothenburg, Sweden

Special tools

999 7482 Cutting tool
Tool number:999 7482
Tool description:Cutting tool
Tool boards:30

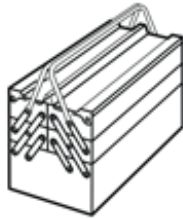
Materials

Designation	Part number
Low temperature grease	1161427

Equipment

VIDA

IMG-242205



A0000162



IMG-239664

**Nm
lbf.ft**



IMG-300203



IMG-327738

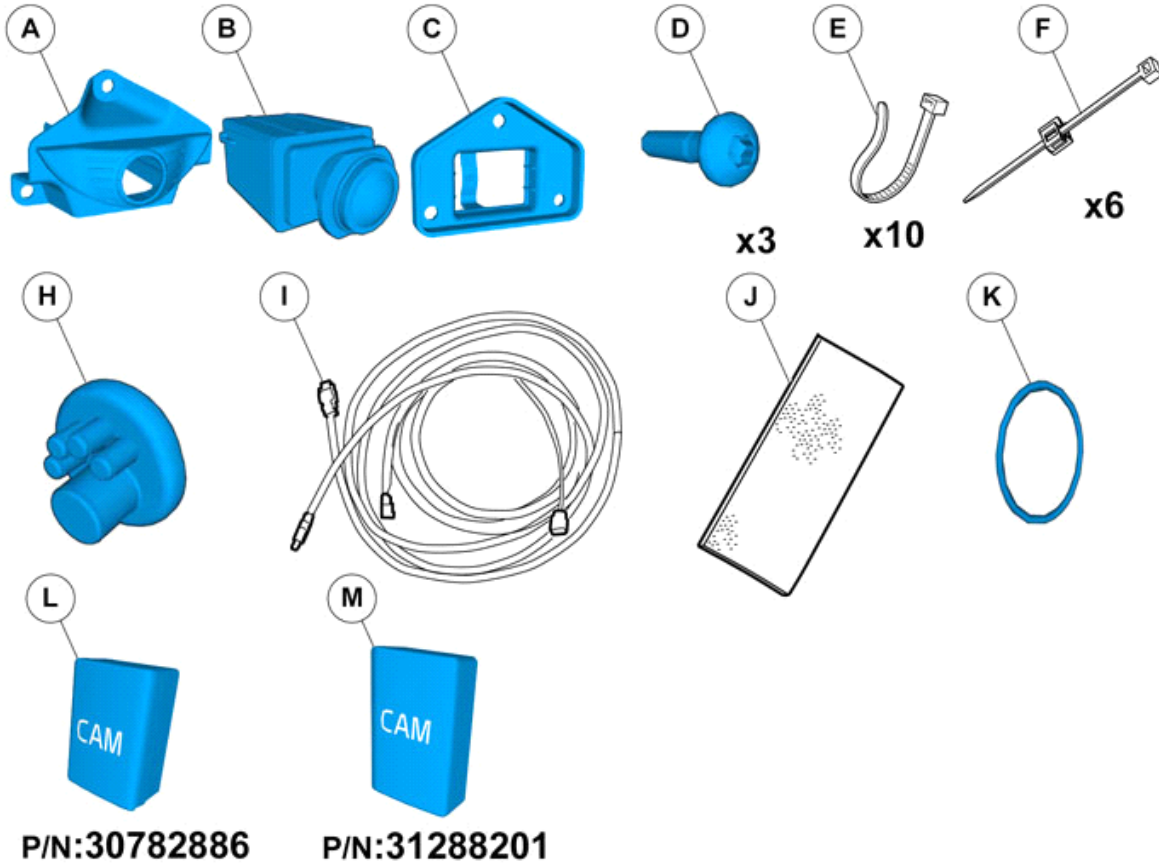


IMG-239667



Installation instructions, accessories

Volvo Car Corporation Gothenburg, Sweden



IMG-380917



Installation instructions, accessories

Volvo Car Corporation Gothenburg, Sweden

36686-2

Parking assistance, camera, wide angle front

Equipment

Designation

Expander pliers

Angle drill machine

Information

1

Read through all of the instructions before starting installation.

Notifications and warning texts are for your safety and to minimise the risk of something breaking during installation.

Ensure that all tools stated in the instructions are available before starting installation.

Certain steps in the instructions are only presented in the form of images. Explanatory text is also given for more complicated steps.

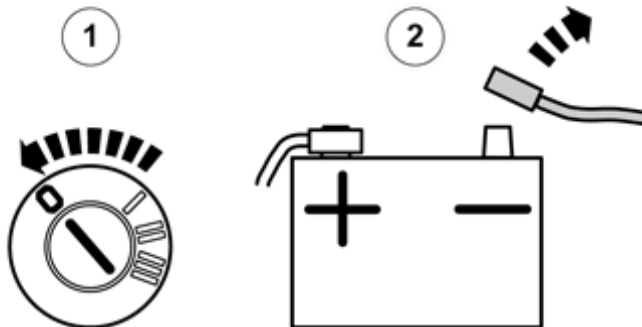
In the event of any problems with the instructions or the accessory, contact your local Volvo dealer.

Conditions

2

Set the ignition key to position 0.

Remove the battery's negative cable.



IMG-332179

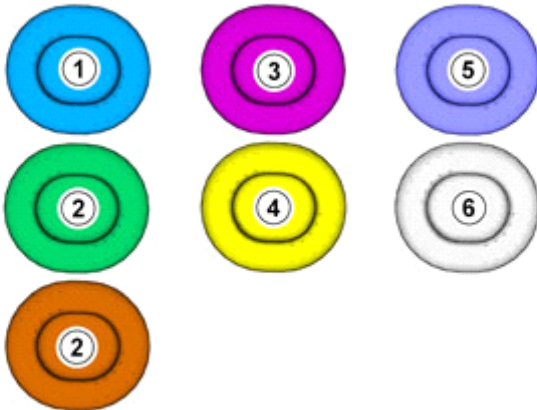
Color symbols



Installation instructions, accessories

Volvo Car Corporation Gothenburg, Sweden

3



IMG-363036

Note!

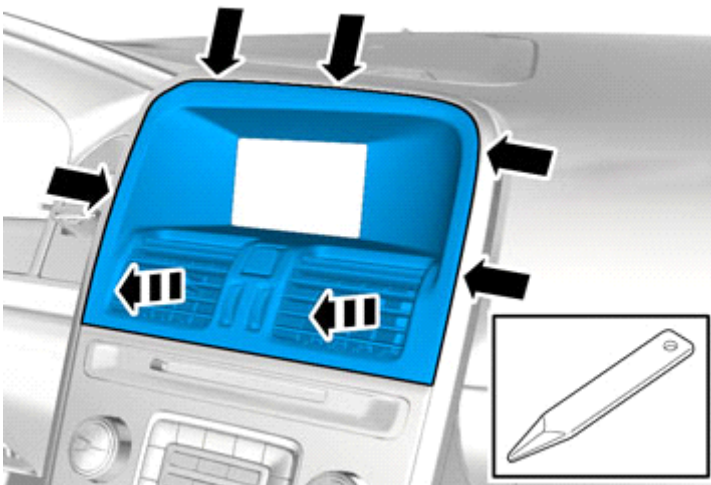
This colour chart displays (in colour print and electronic version) the importance of the different colours used in the images of the method steps.

1. Used for focused component, the component with which you will do something.
2. Used as extra colors when you need to show or differentiate additional parts.
3. Used for attachments that are to be removed/installed. May be screws, clips, connectors, etc.
4. Used when the component is not fully removed from the vehicle but only hung to the side.
5. Used for standard tools and special tools.
6. Used as background color for vehicle components.

Removal

4

Remove the panel.



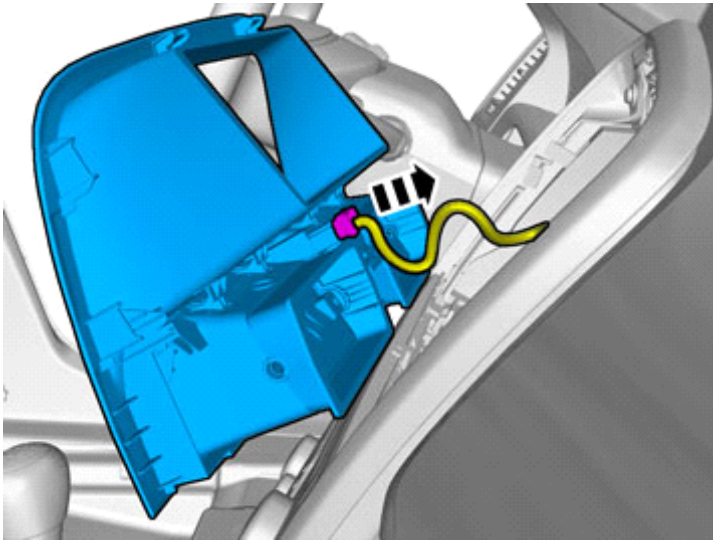
IMG-345728



Installation instructions, accessories

Volvo Car Corporation Gothenburg, Sweden

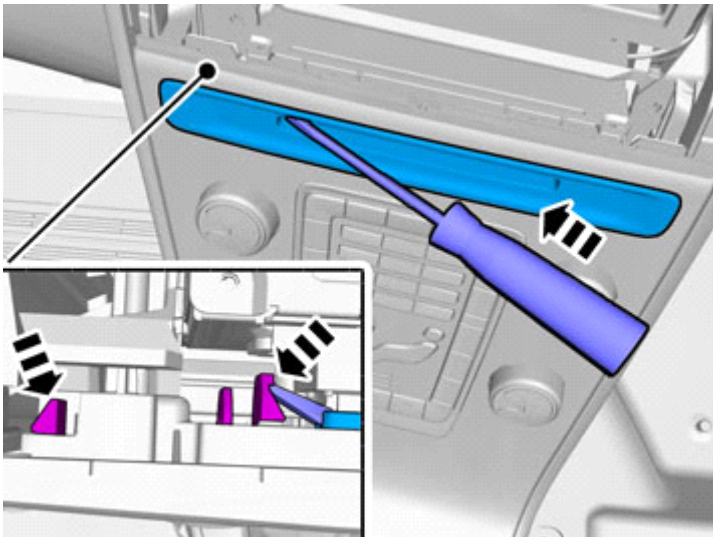
5



IMG-345734

Disconnect the connector.

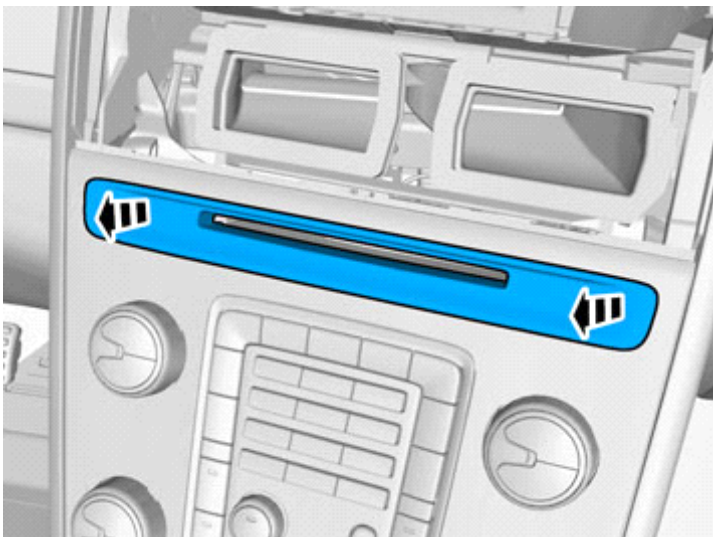
6



IMG-345736

Release the catches.

7



IMG-345737

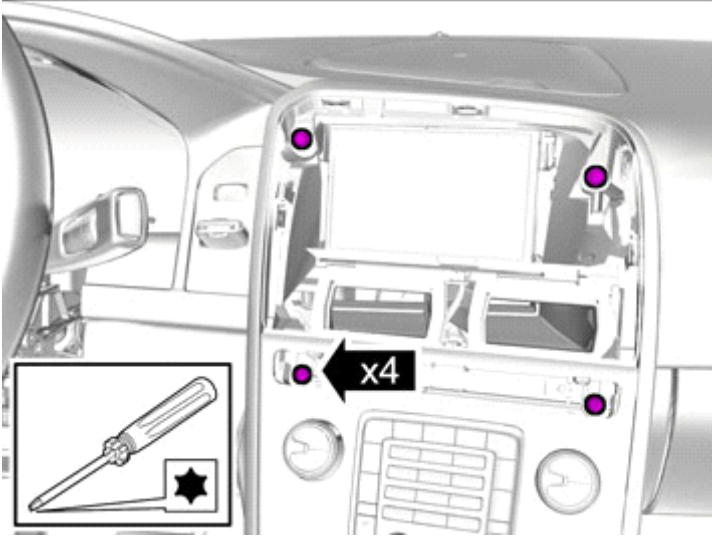
Remove the panel.



Installation instructions, accessories

Volvo Car Corporation Gothenburg, Sweden

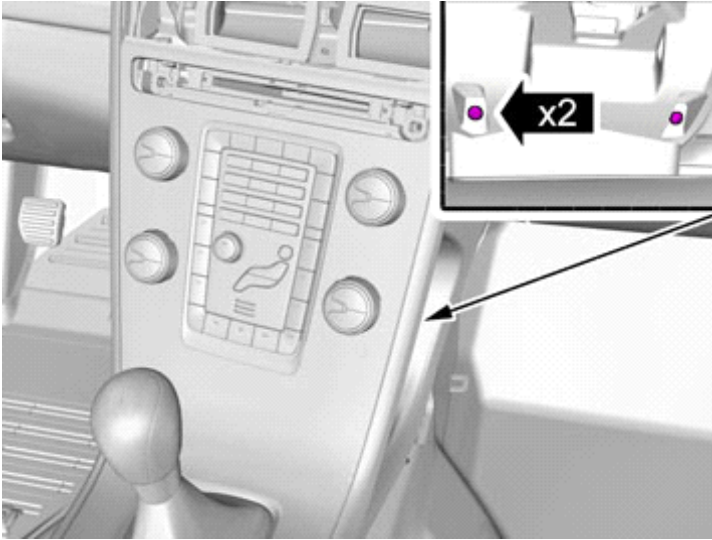
8



IMG-345744

Remove the screws.

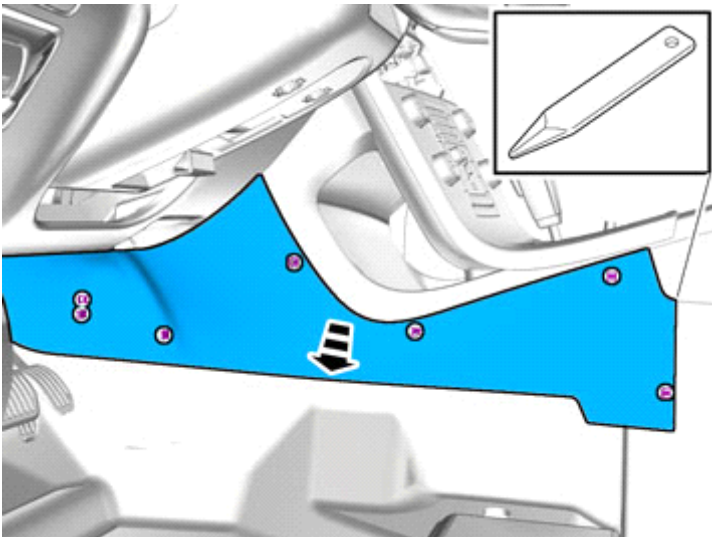
9



IMG-345745

Remove the screws.

10



IMG-340598

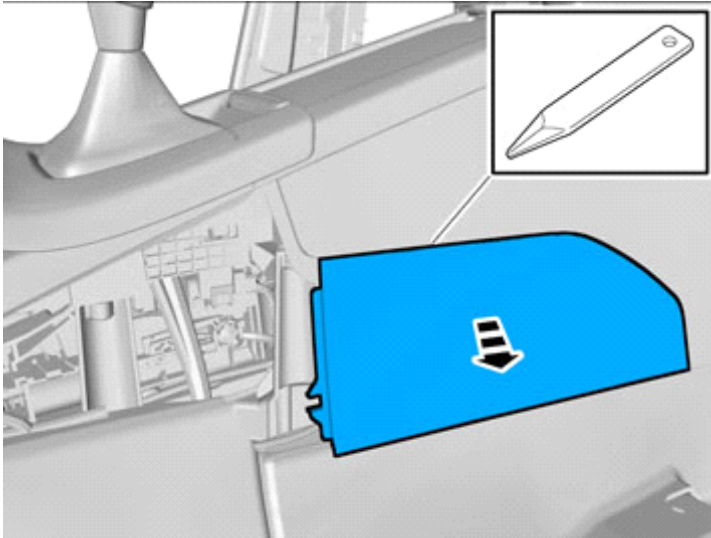
Remove the panel.



Installation instructions, accessories

Volvo Car Corporation Gothenburg, Sweden

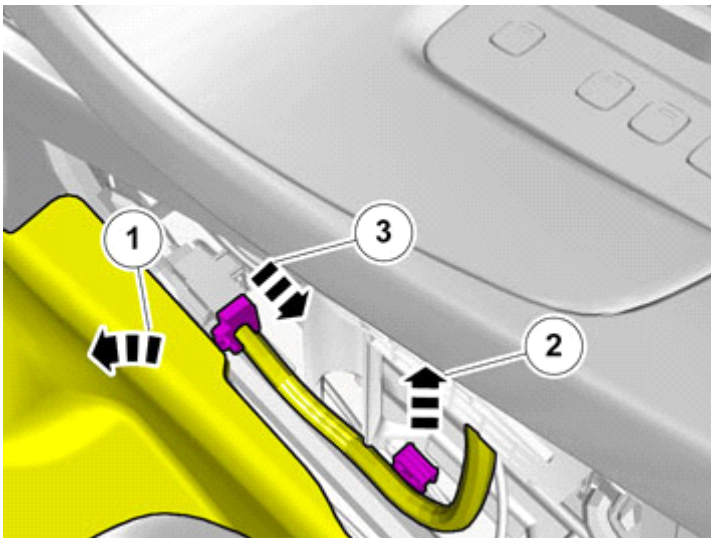
11



IMG-345746

Remove the panel.

12



IMG-340599

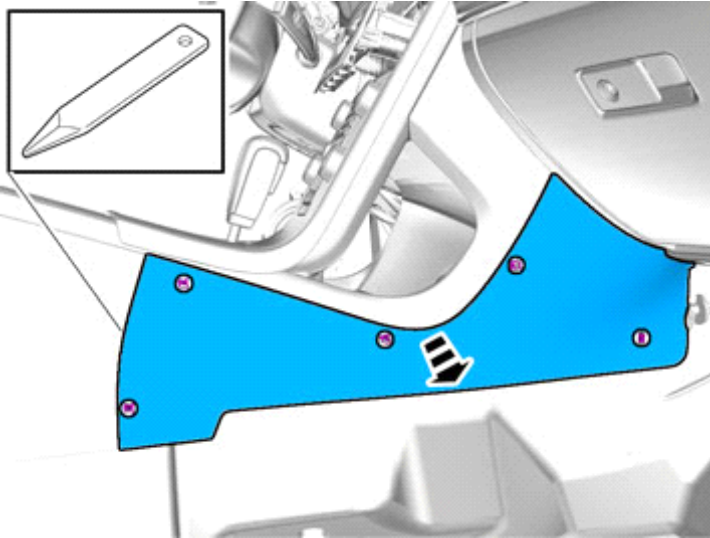
1. Fold the carpet to the side.
2. Remove the cable harness clips.
3. Disconnect the connector.



Installation instructions, accessories

Volvo Car Corporation Gothenburg, Sweden

13

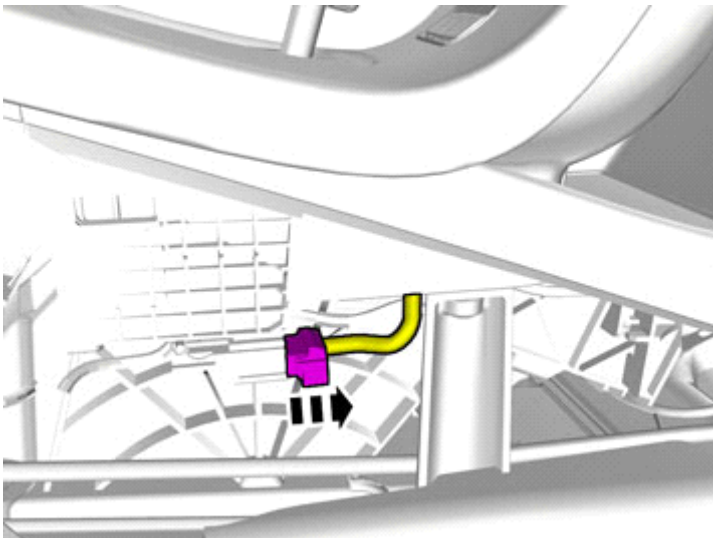


IMG-340600

Remove the panel.

Vehicles with the 4C system.

14



IMG-340601

Disconnect the connector.

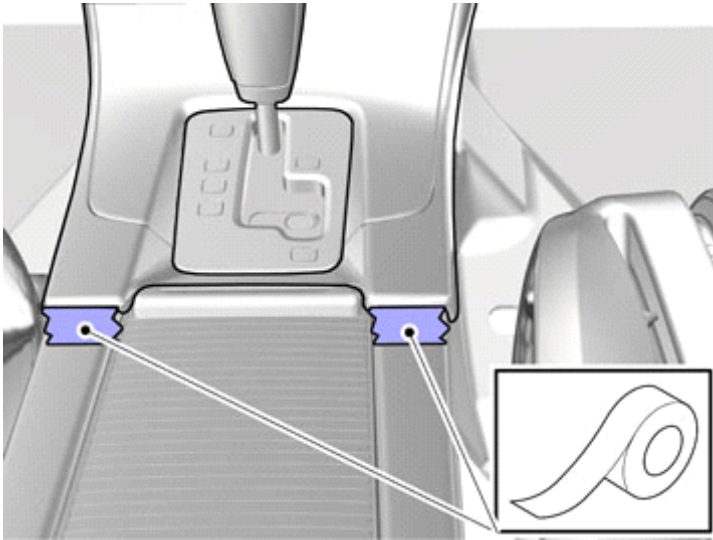
All vehicles



Installation instructions, accessories

Volvo Car Corporation Gothenburg, Sweden

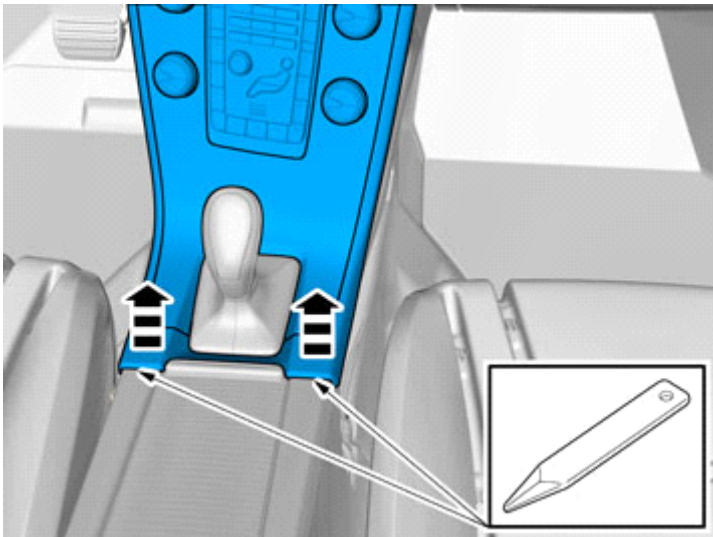
15



Use tape

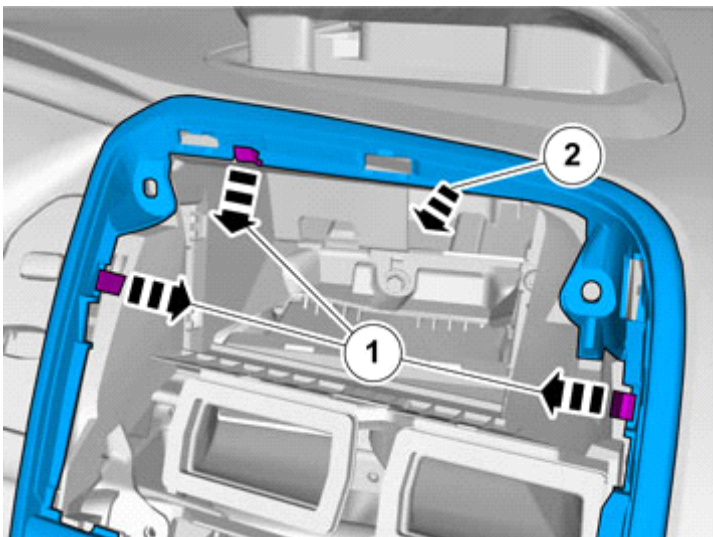
IMG-340602

16



IMG-375923

17



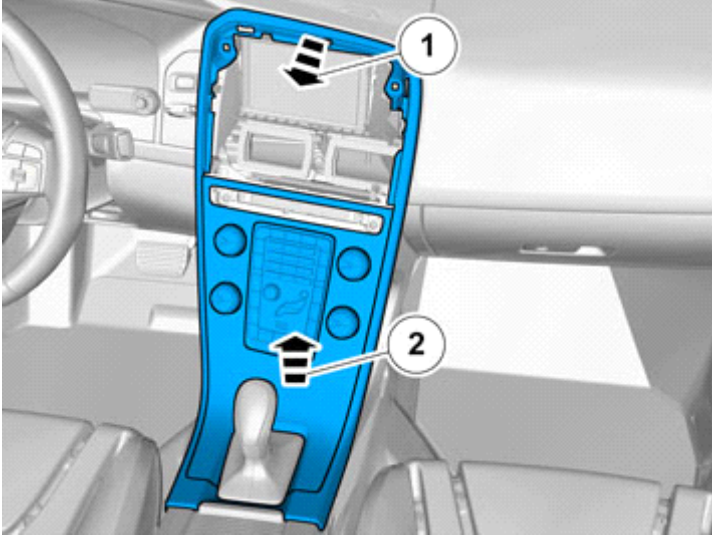
IMG-293010



Installation instructions, accessories

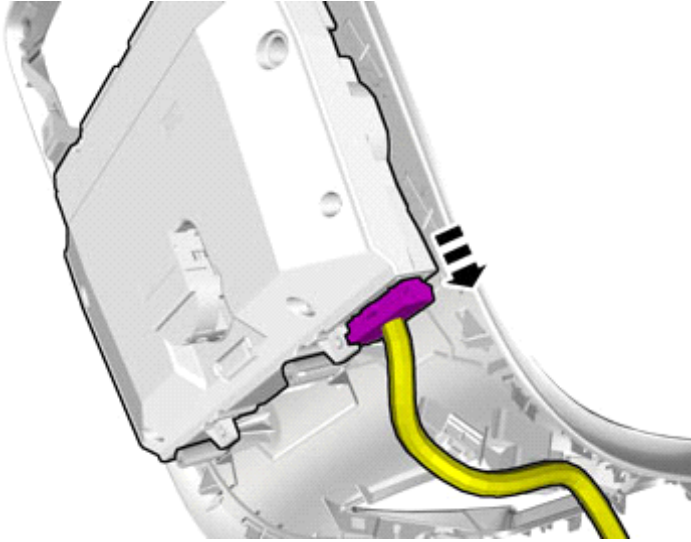
Volvo Car Corporation Gothenburg, Sweden

18



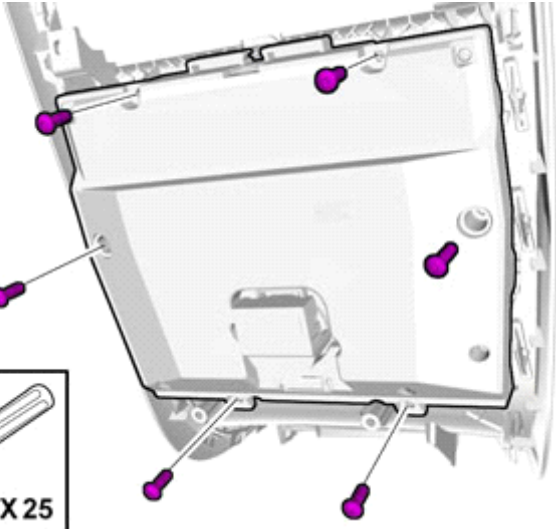
IMG-375925

19



IMG-340604

20



Remove the screws.

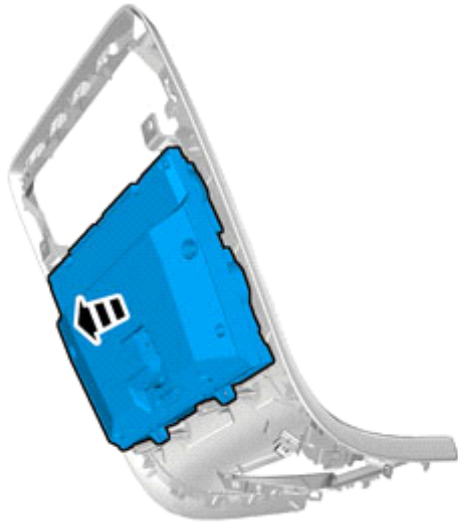
IMG-340605



Installation instructions, accessories

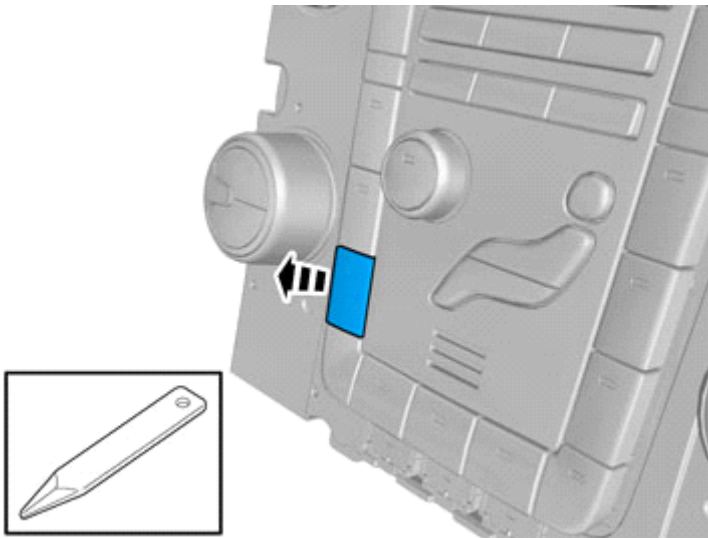
Volvo Car Corporation Gothenburg, Sweden

21



IMG-340607

22



IMG-380815

Accessory installation



Installation instructions, accessories

Volvo Car Corporation Gothenburg, Sweden

23



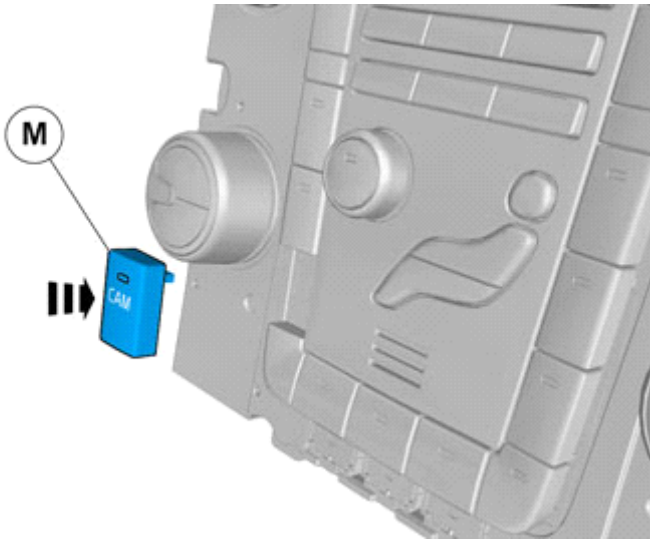
P/N:30782886



P/N:31288201

IMG-380819

24



IMG-380816

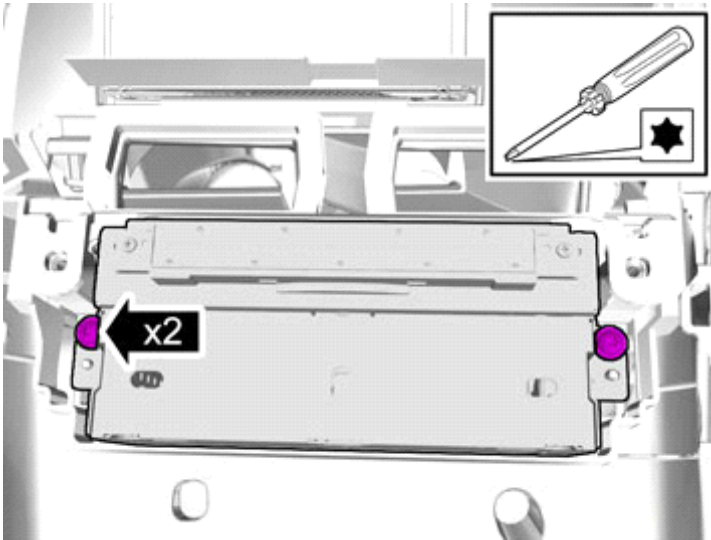
Removal



Installation instructions, accessories

Volvo Car Corporation Gothenburg, Sweden

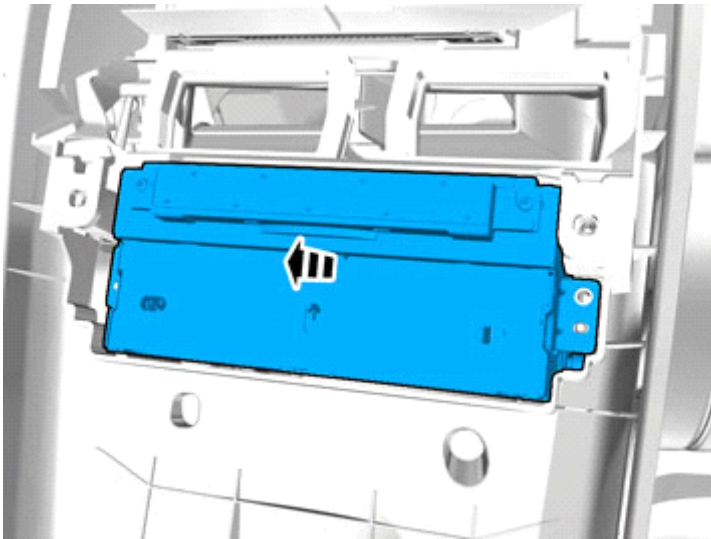
25



IMG-345767

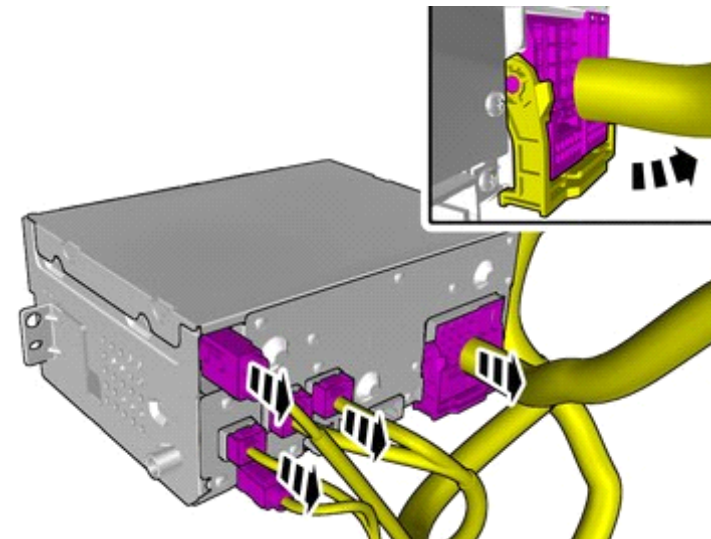
Remove the screws.

26



IMG-345766

27



IMG-380933

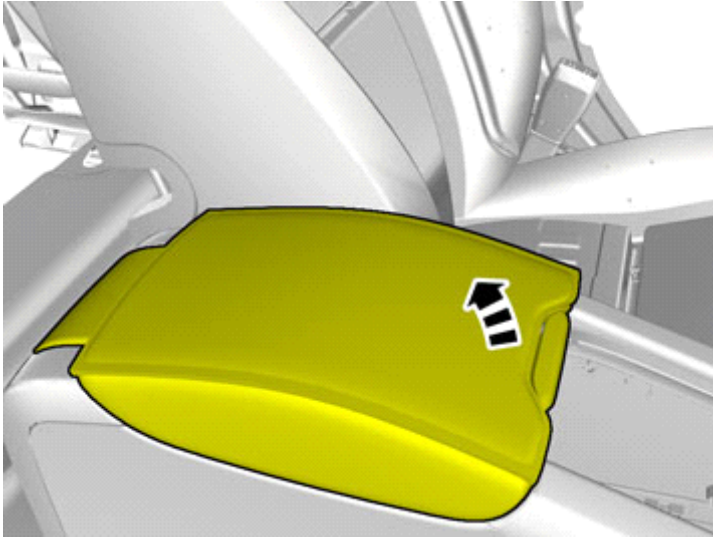
Disconnect the connectors.



Installation instructions, accessories

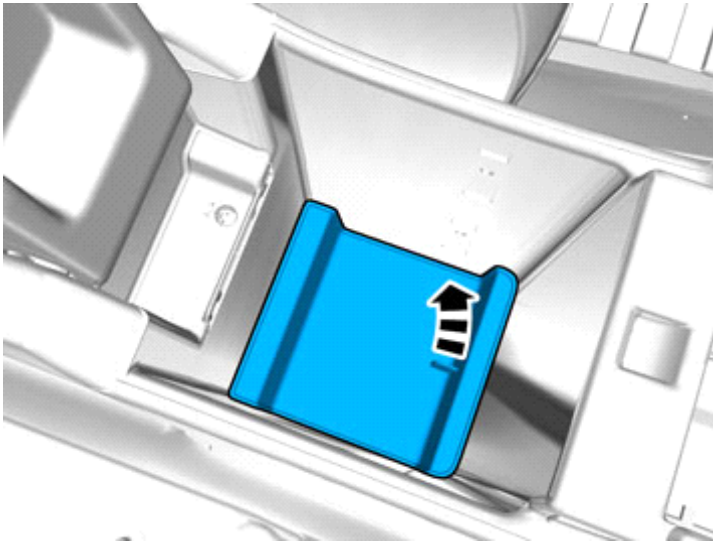
Volvo Car Corporation Gothenburg, Sweden

28



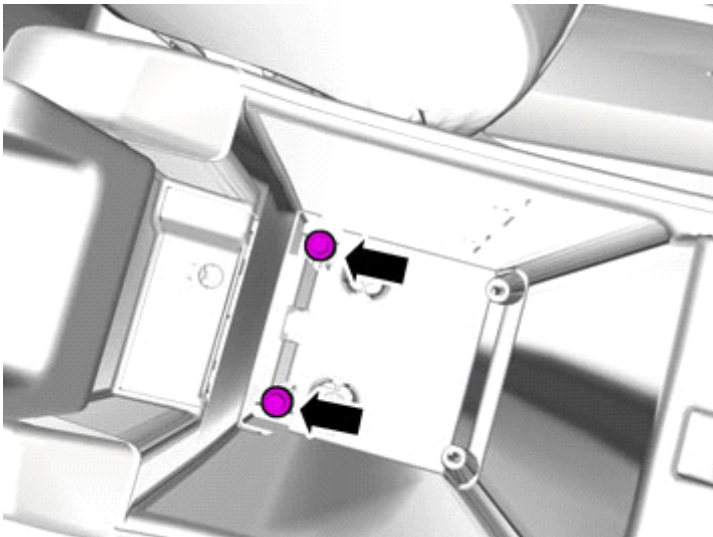
IMG-341780

29



IMG-341781

30



IMG-341782

Remove the screws.

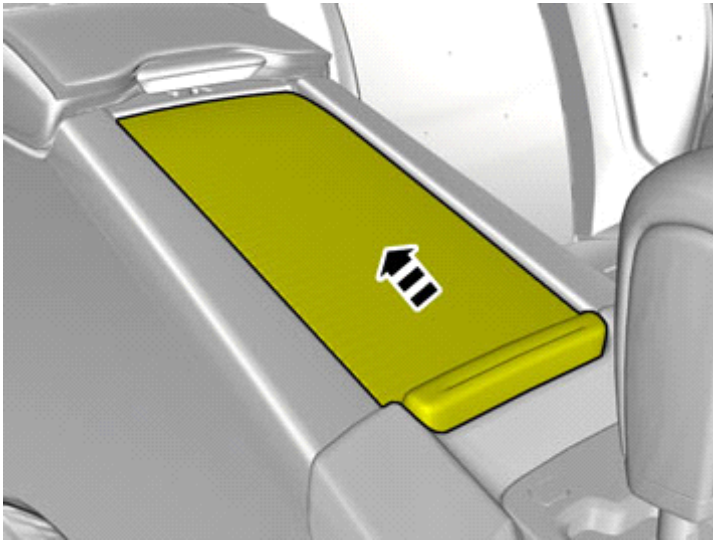
Tightening torque: M8 , 24 Nm



Installation instructions, accessories

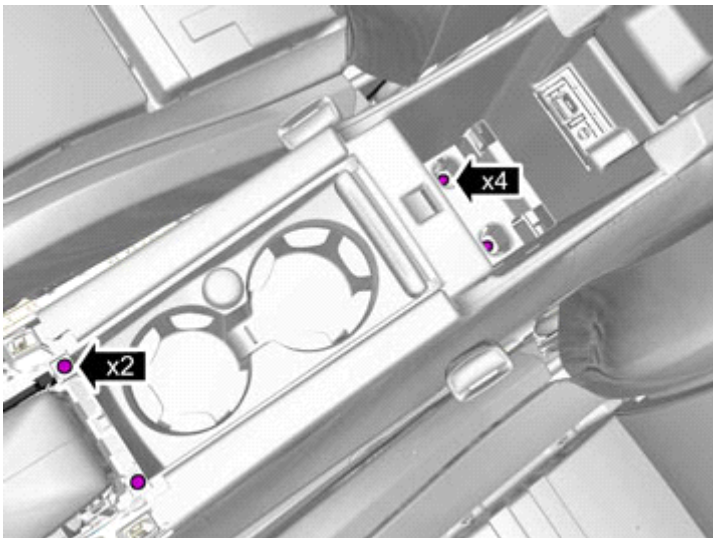
Volvo Car Corporation Gothenburg, Sweden

31



IMG-341773

32



IMG-374438

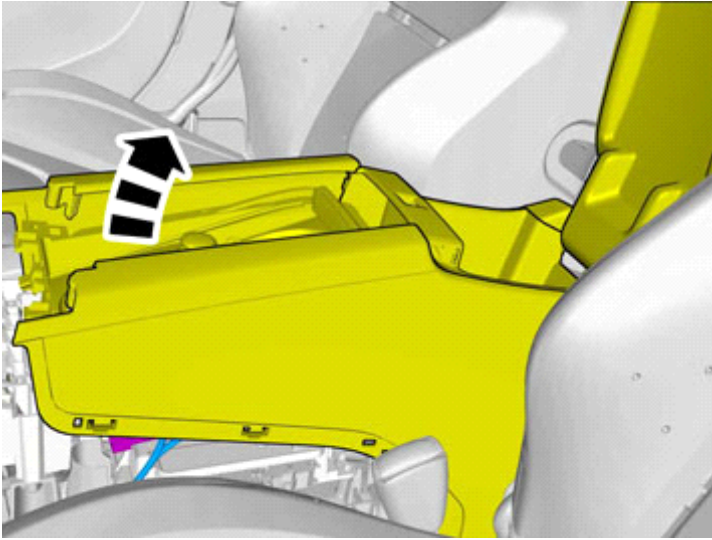
Remove the screws.



Installation instructions, accessories

Volvo Car Corporation Gothenburg, Sweden

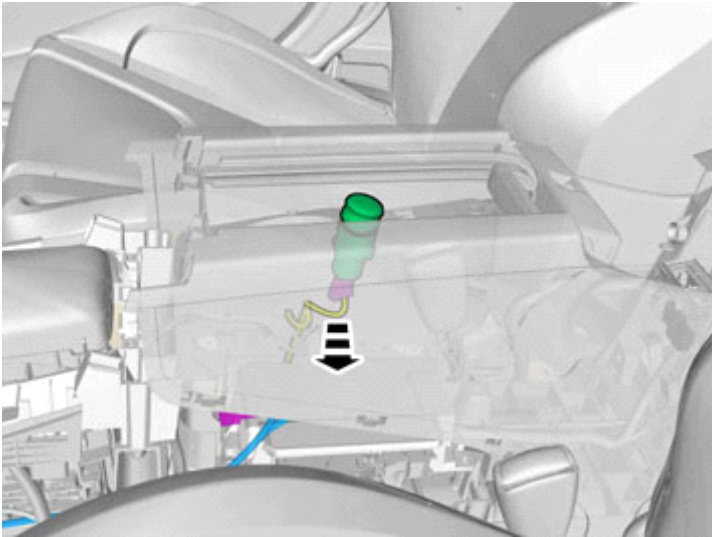
33



IMG-374497

Detach the panel.

34



IMG-374495

Disconnect the connector.

Accessory installation

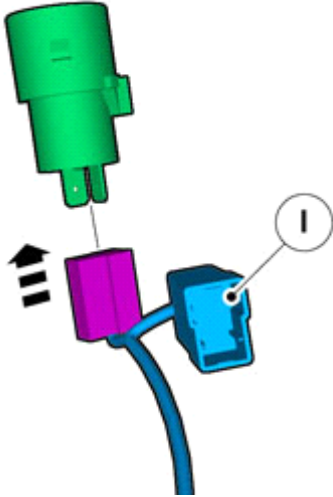


Installation instructions, accessories

Volvo Car Corporation Gothenburg, Sweden

35

Install component that comes with the accessory kit.

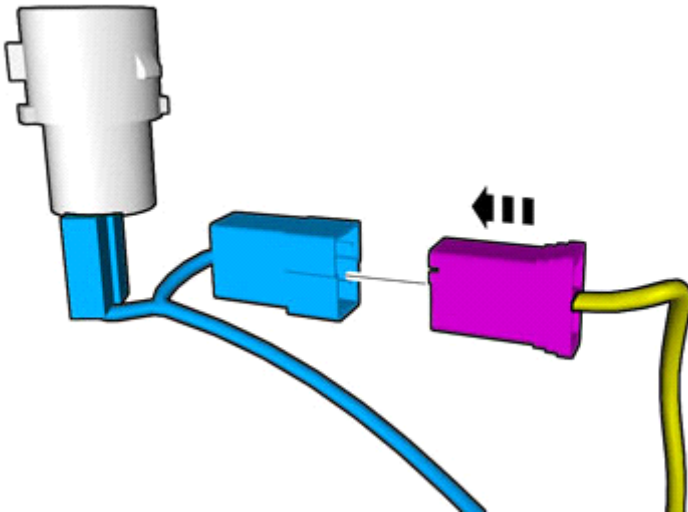


IMG-374547

36

Locate the existing connector in the vehicle's cable harness.

Connect the connector.

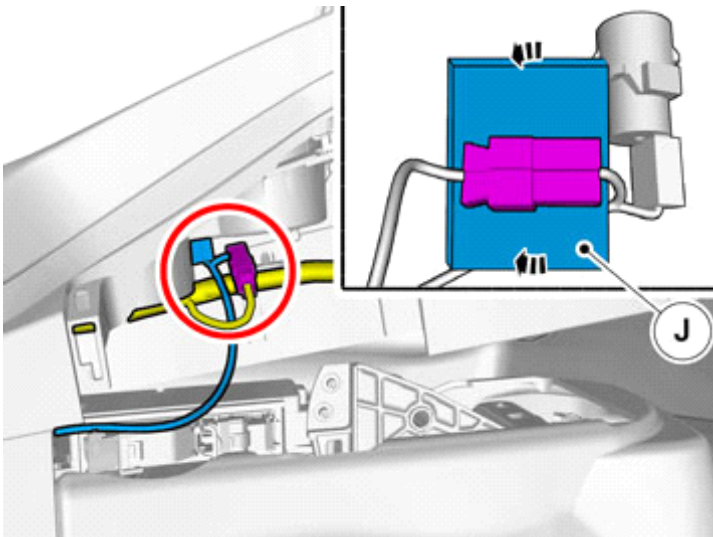


IMG-362040

37

Tear off the excess foam tape.

Clamp the cables and connectors to the existing cables to prevent noise.



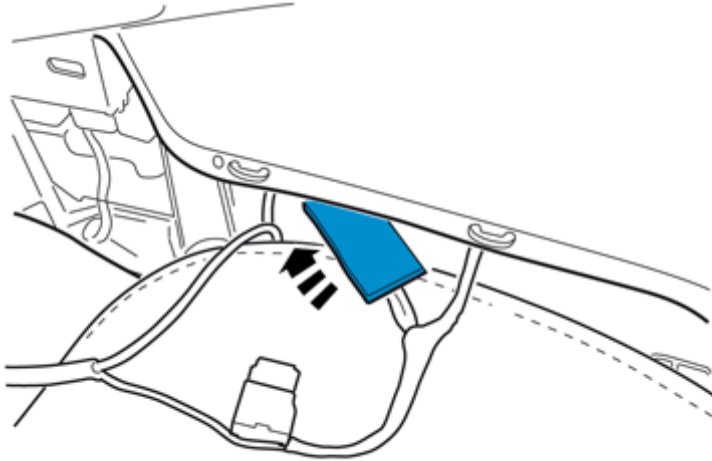
IMG-374510



Installation instructions, accessories

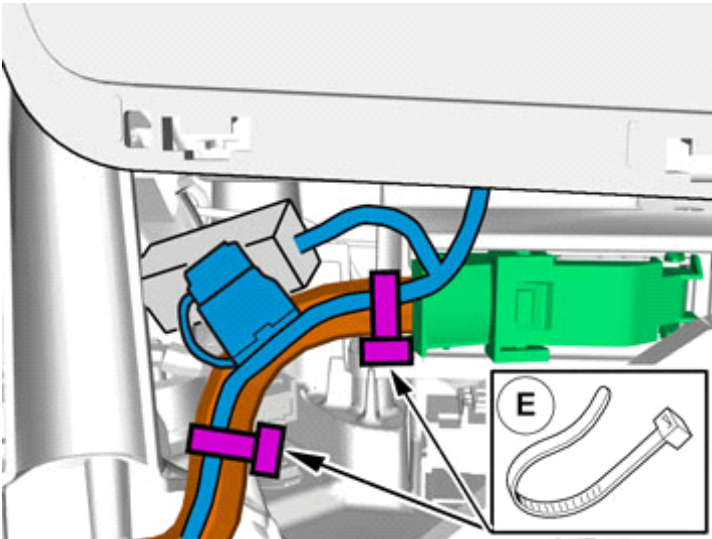
Volvo Car Corporation Gothenburg, Sweden

38



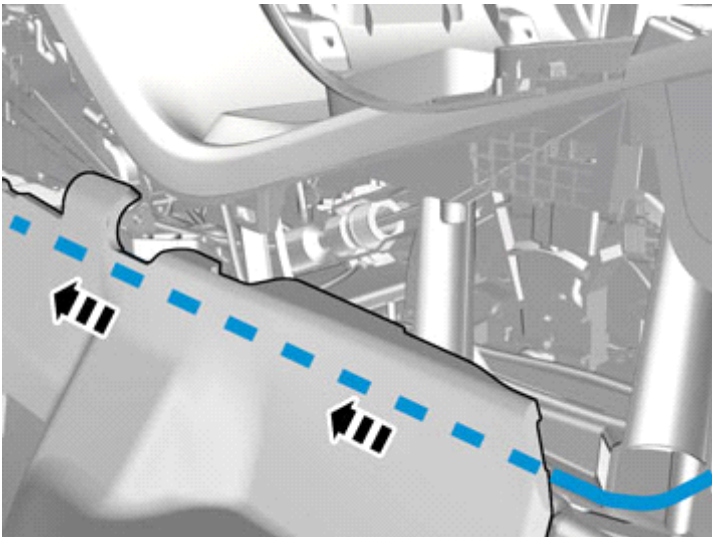
IMG-345849

39



IMG-345850

40



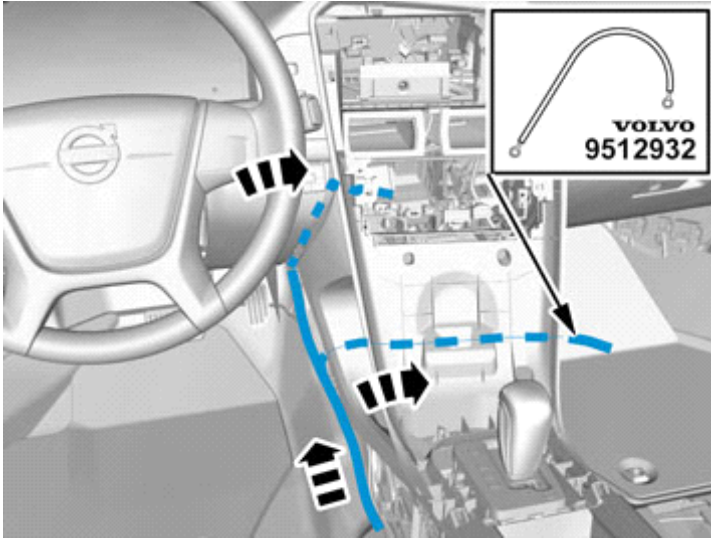
IMG-345851



Installation instructions, accessories

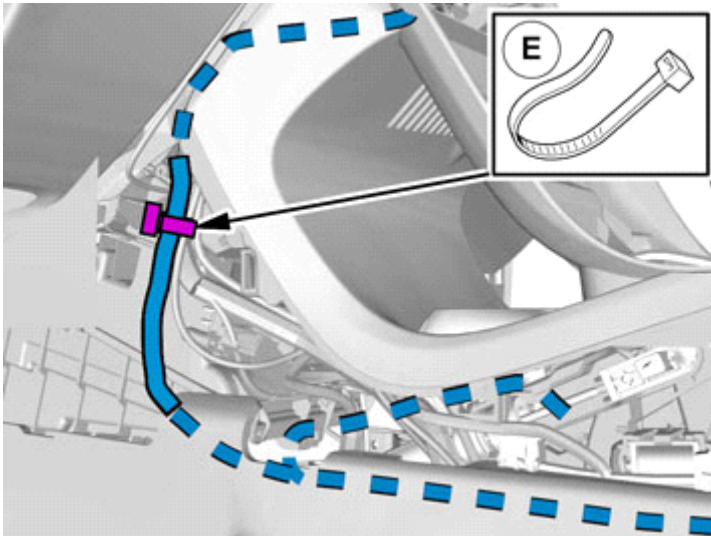
Volvo Car Corporation Gothenburg, Sweden

41



IMG-380971

42



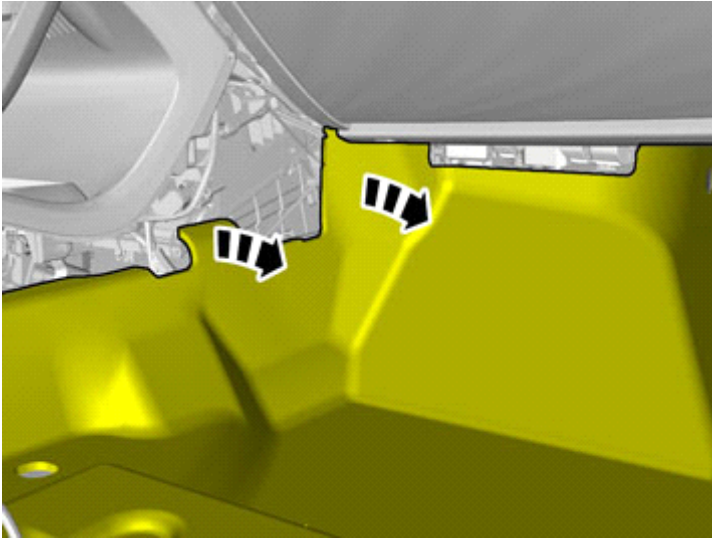
IMG-380972



Installation instructions, accessories

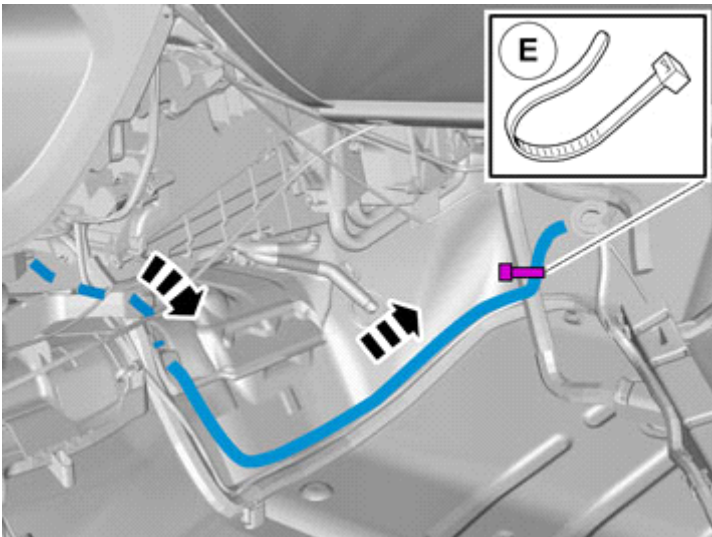
Volvo Car Corporation Gothenburg, Sweden

43



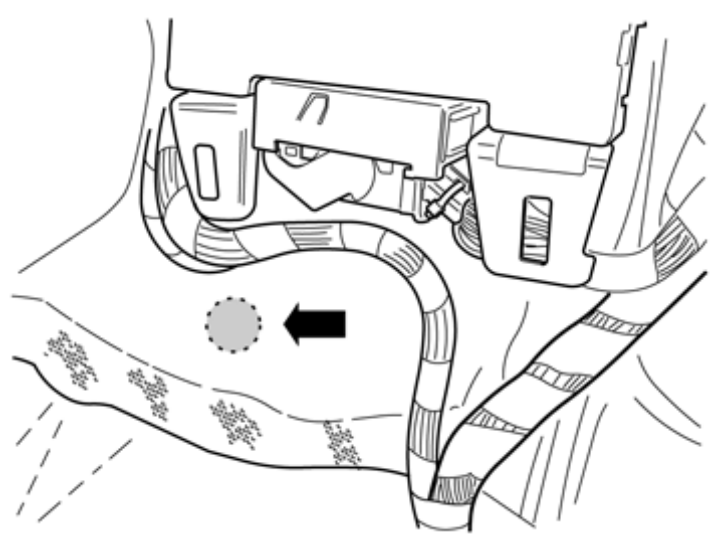
IMG-345858

44



IMG-345859

45



IMG-307603

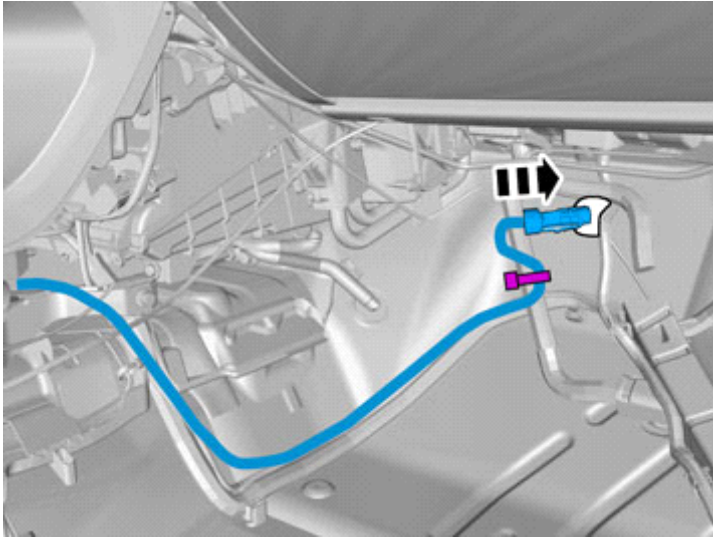
Locate the rubber grommet under the insulation and press it out.



Installation instructions, accessories

Volvo Car Corporation Gothenburg, Sweden

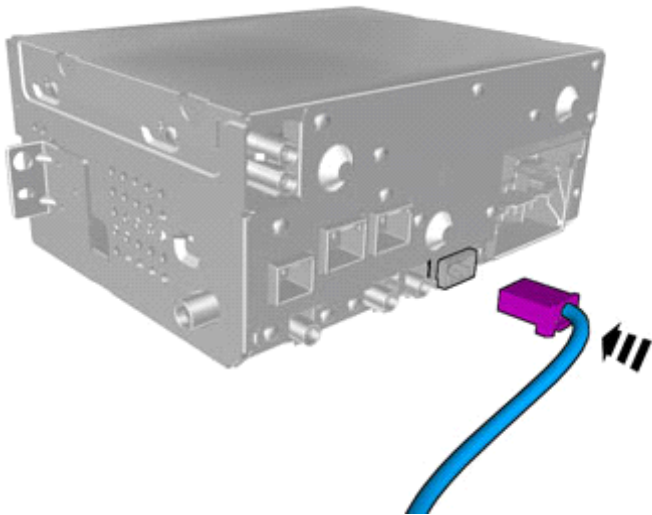
46



IMG-345860

Pull the wiring through.

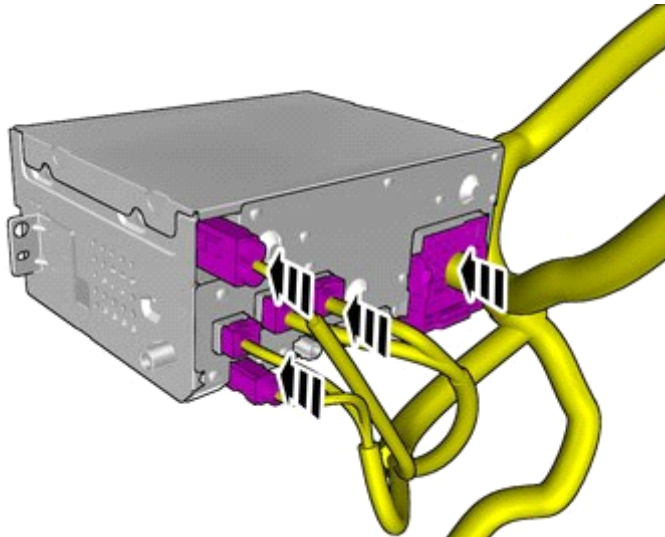
47



IMG-380941

Connect the prerouted cable.

48



IMG-380943

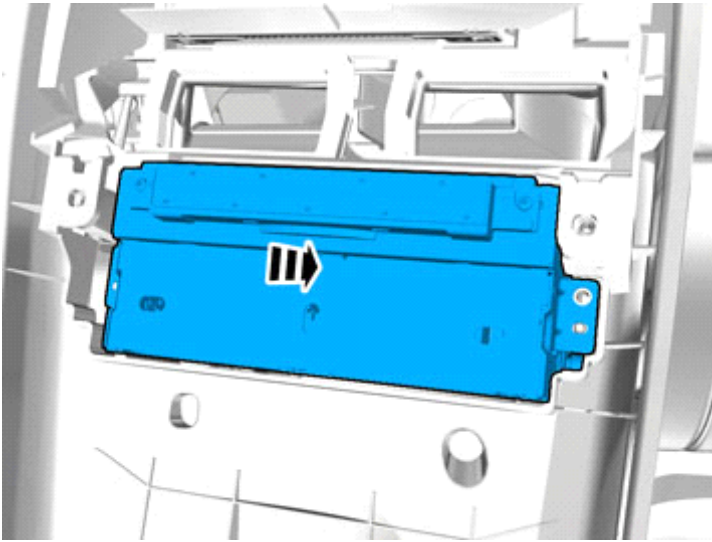
Connect the connectors.



Installation instructions, accessories

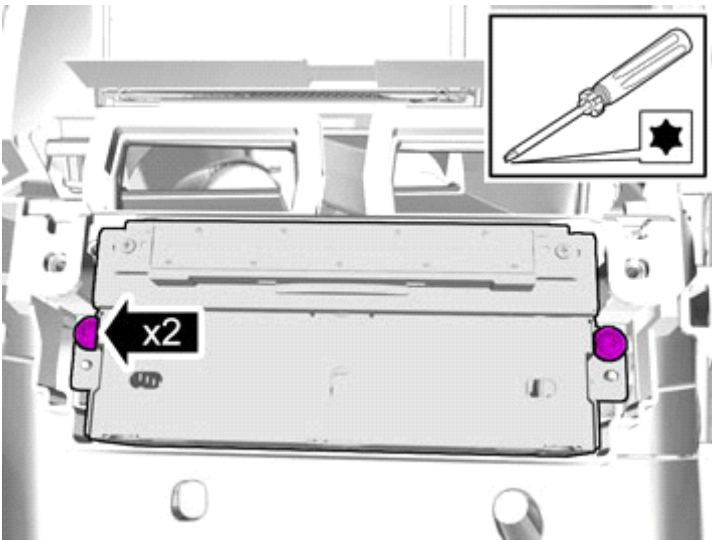
Volvo Car Corporation Gothenburg, Sweden

49



IMG-345862

50



IMG-345767

Reinstall the screws.

51

Reinstall the removed parts in reverse order.

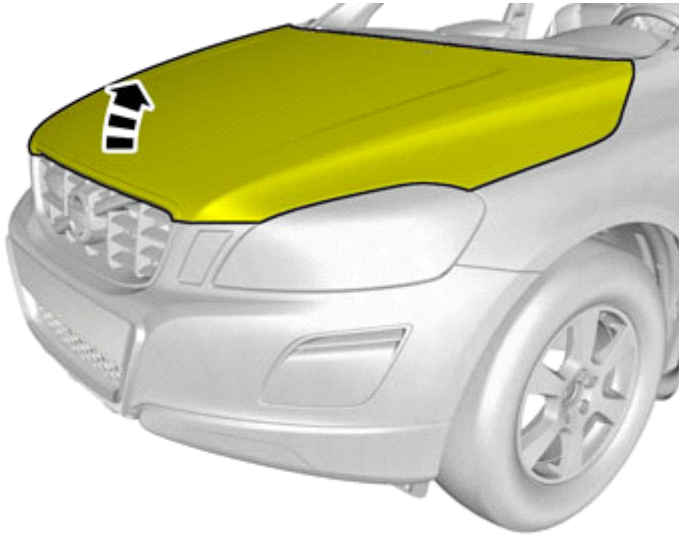
Removal



Installation instructions, accessories

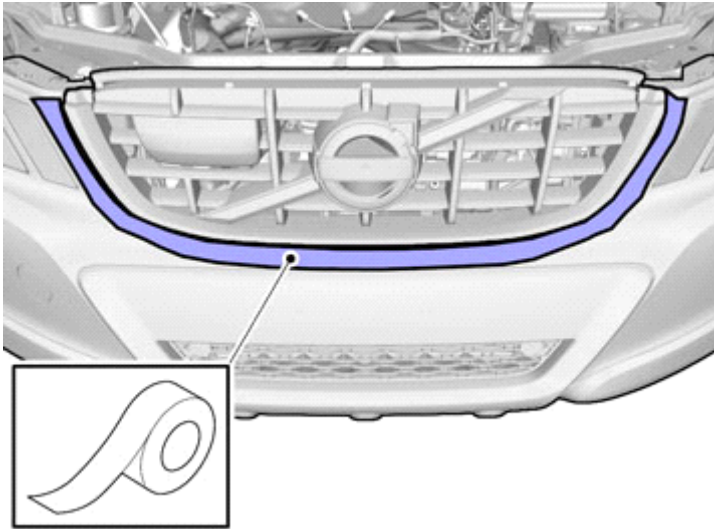
Volvo Car Corporation Gothenburg, Sweden

52



IMG-345865

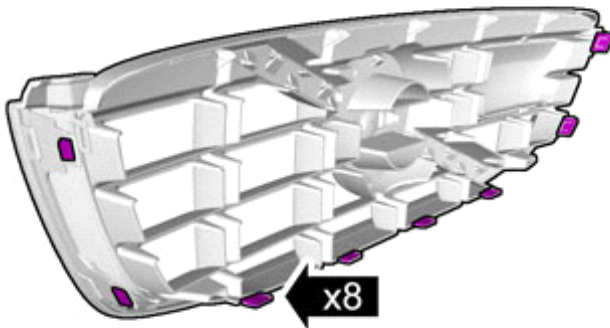
53



Use tape

IMG-345866

54



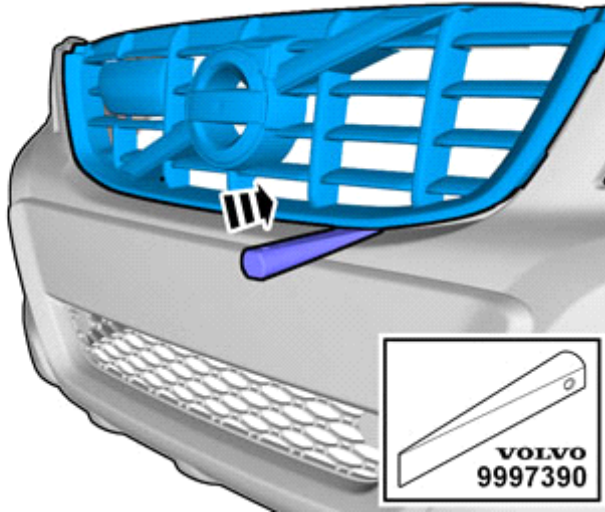
IMG-345867



Installation instructions, accessories

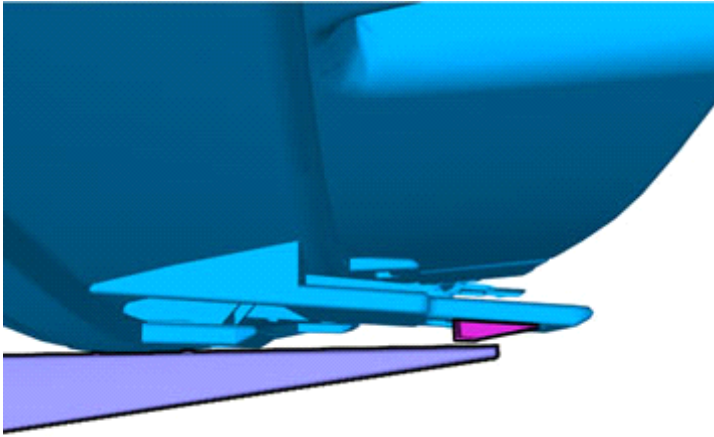
Volvo Car Corporation Gothenburg, Sweden

55



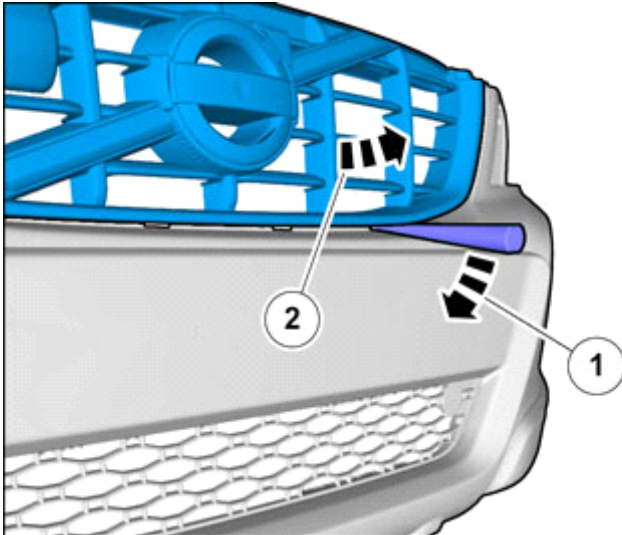
IMG-345871

56



IMG-345872

57



IMG-345873

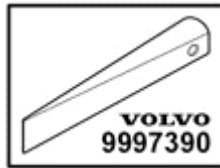
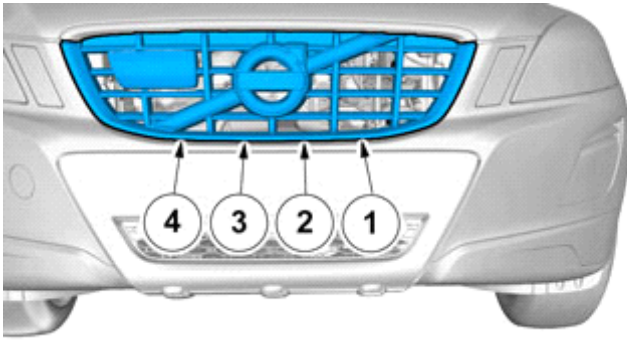
Remove the part carefully



Installation instructions, accessories

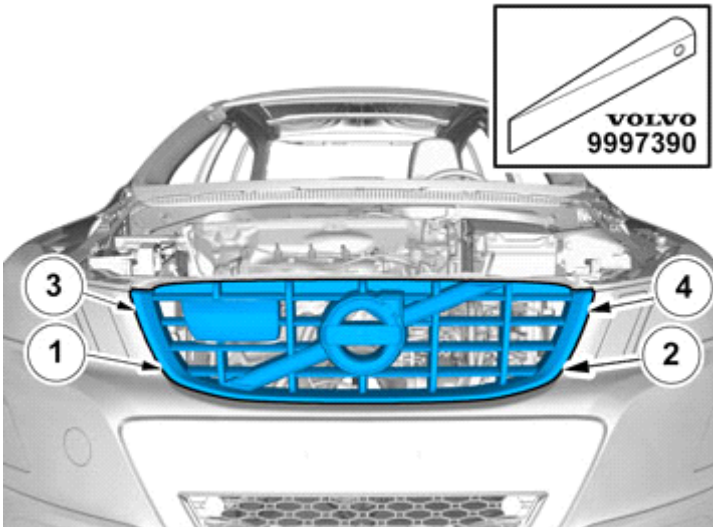
Volvo Car Corporation Gothenburg, Sweden

58



IMG-345874

59



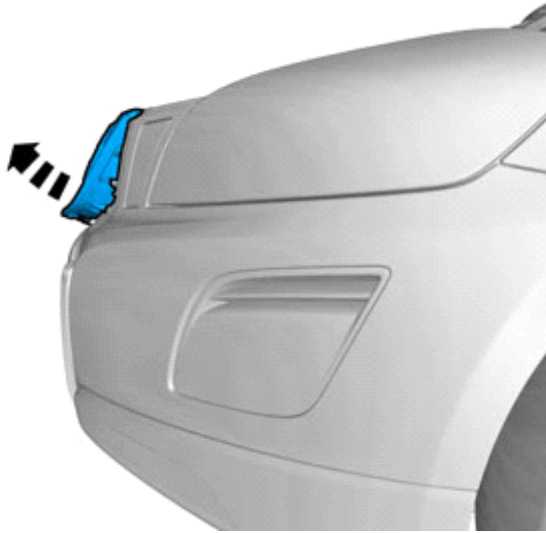
IMG-345875



Installation instructions, accessories

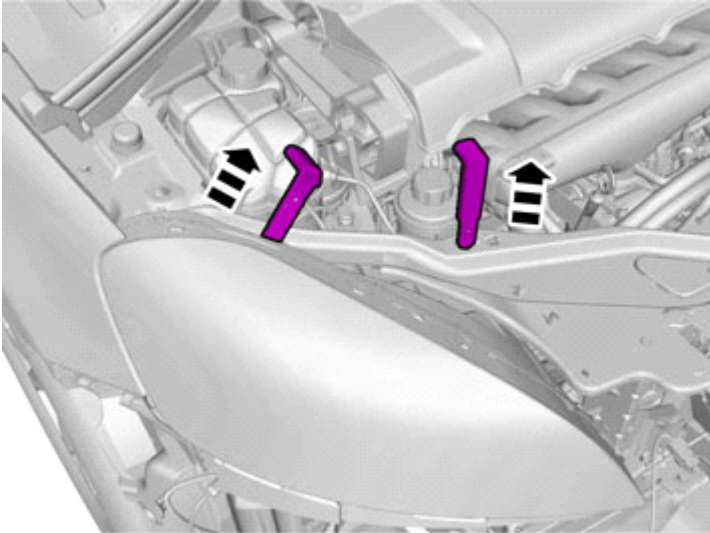
Volvo Car Corporation Gothenburg, Sweden

60



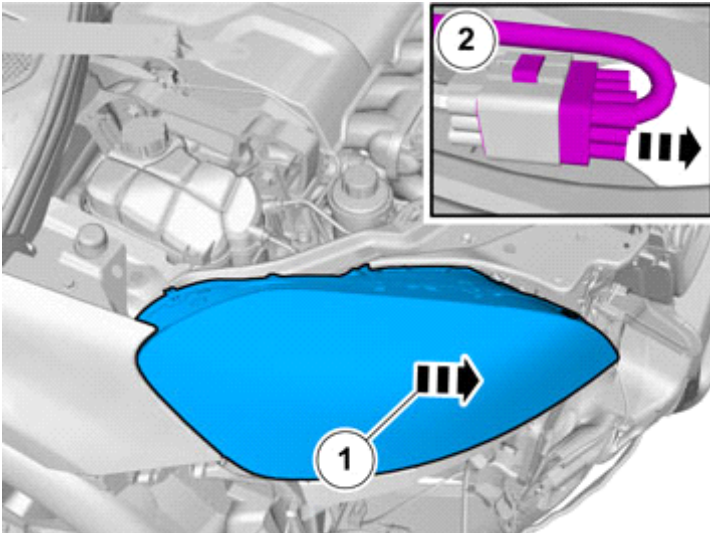
IMG-345876

61



IMG-307687

62



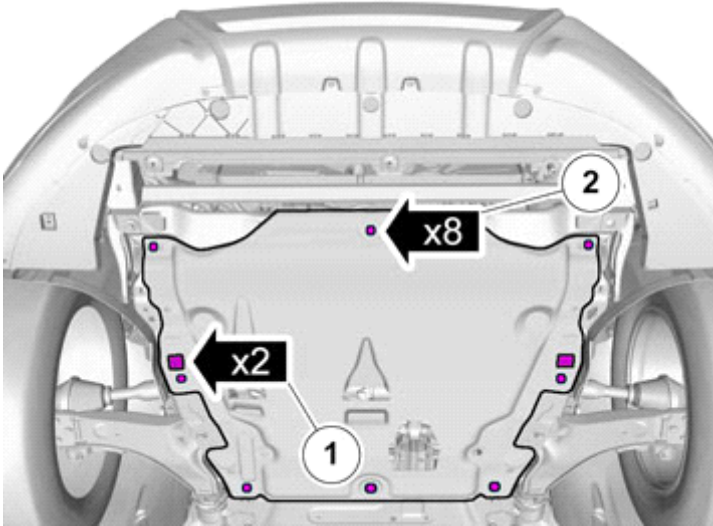
IMG-307688



Installation instructions, accessories

Volvo Car Corporation Gothenburg, Sweden

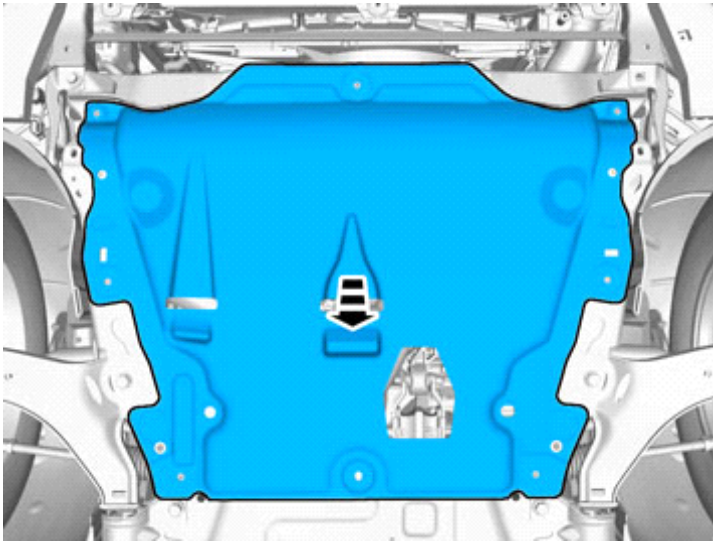
63



IMG-345877

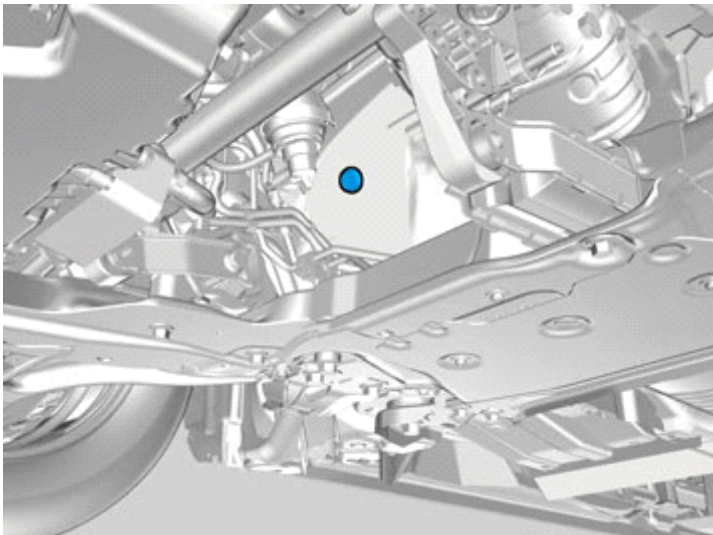
1. Remove the clips.
2. Remove the screws.

64



IMG-345878

65



IMG-345879

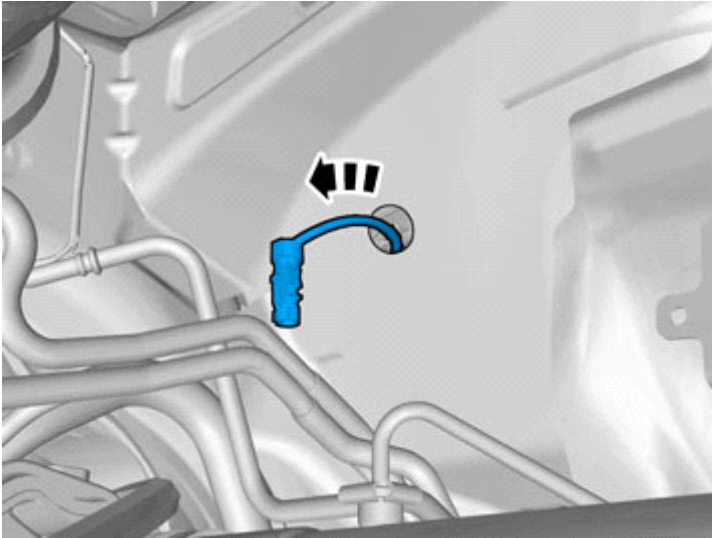
Locate the rubber grommet under the insulating mat.



Installation instructions, accessories

Volvo Car Corporation Gothenburg, Sweden

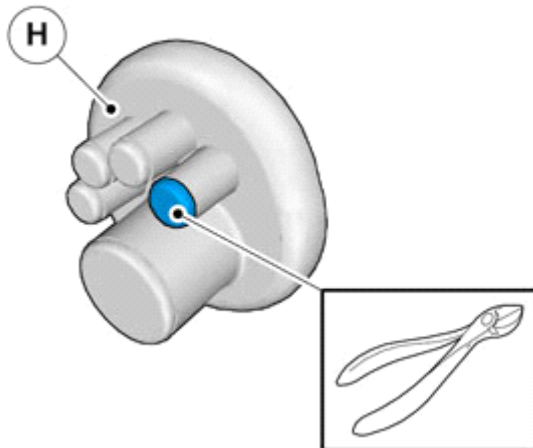
66



IMG-345880

Pull the wiring through.

67



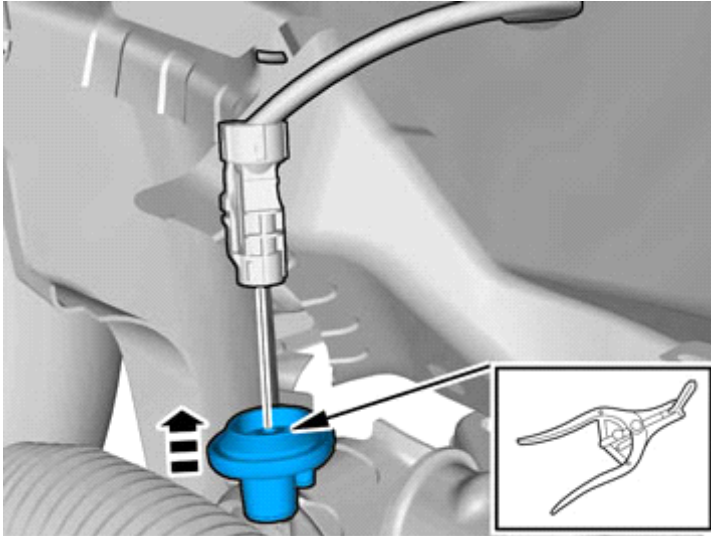
IMG-345881



Installation instructions, accessories

Volvo Car Corporation Gothenburg, Sweden

68

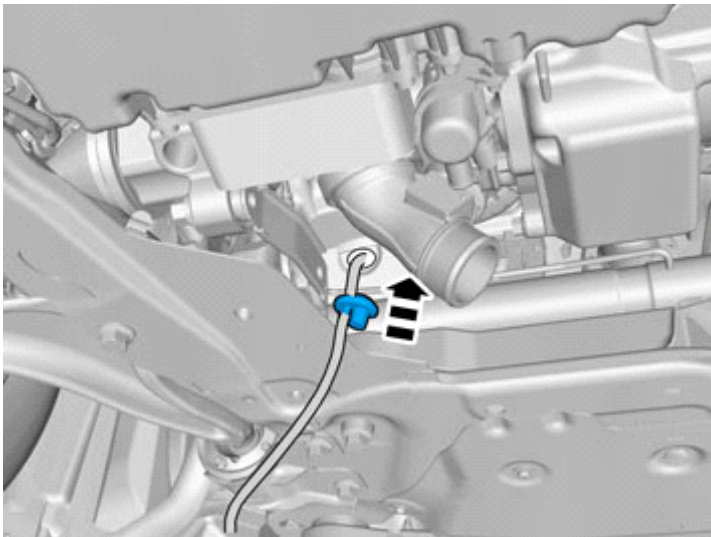


IMG-345882

Use: Expander pliers

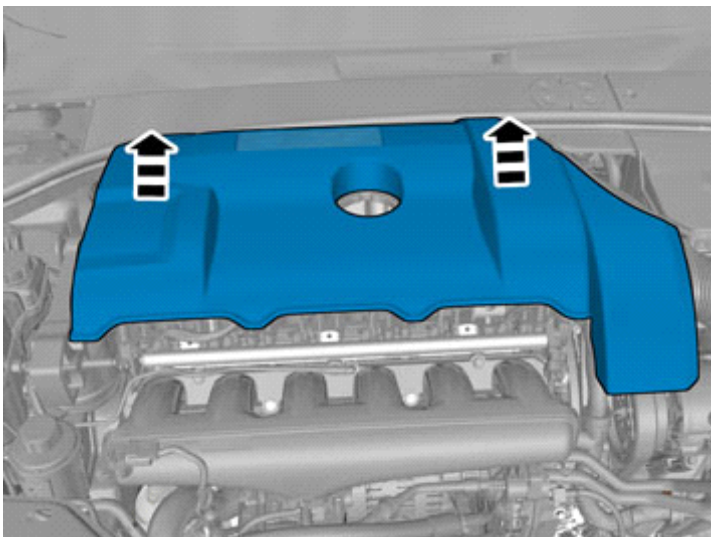
Use: 1161427, Low temperature grease

69



IMG-345883

70



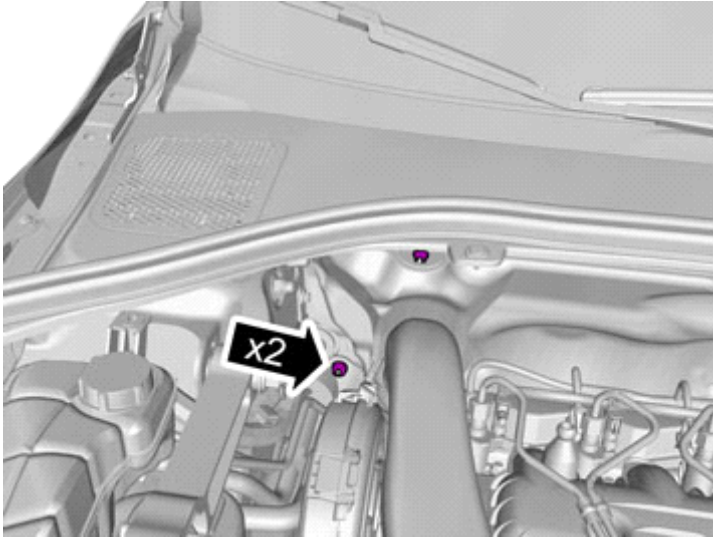
IMG-273585



Installation instructions, accessories

Volvo Car Corporation Gothenburg, Sweden

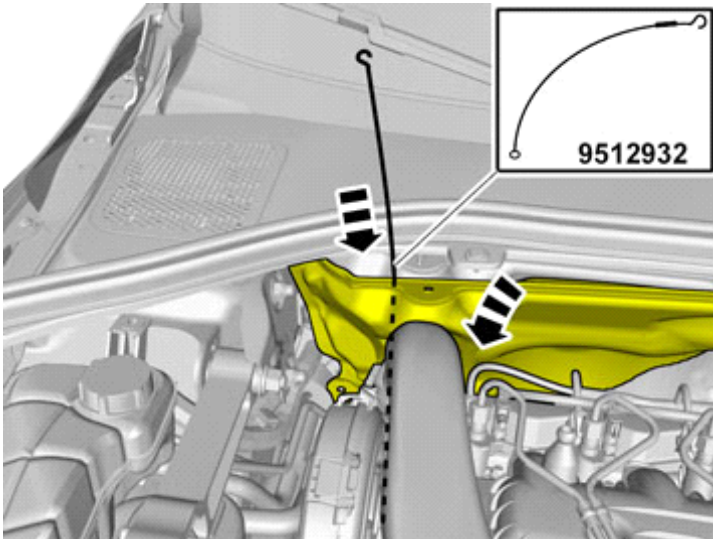
71



IMG-340533

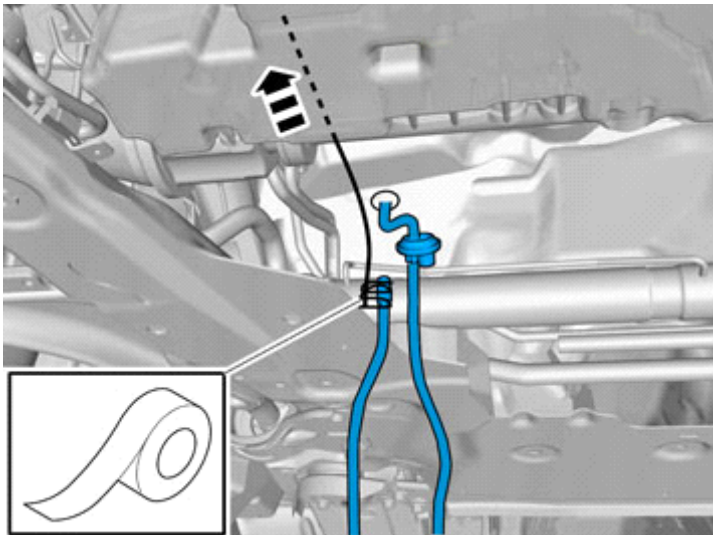
Remove the nuts.

72



IMG-340606

73



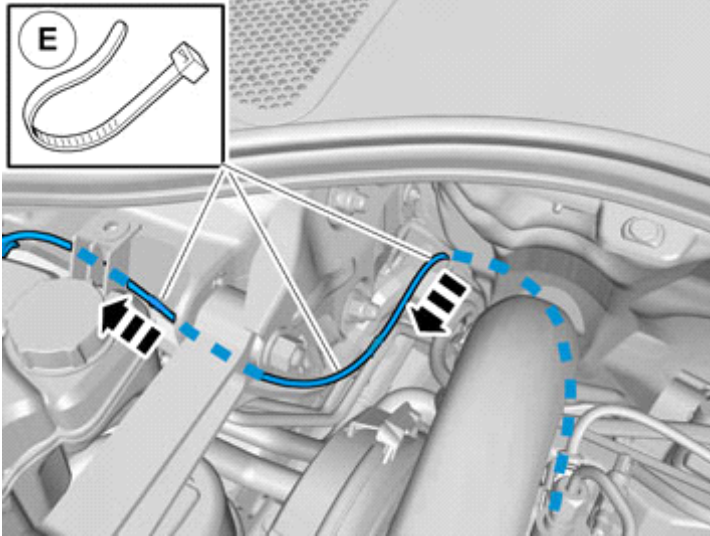
IMG-345884



Installation instructions, accessories

Volvo Car Corporation Gothenburg, Sweden

74



IMG-345885

Caution!

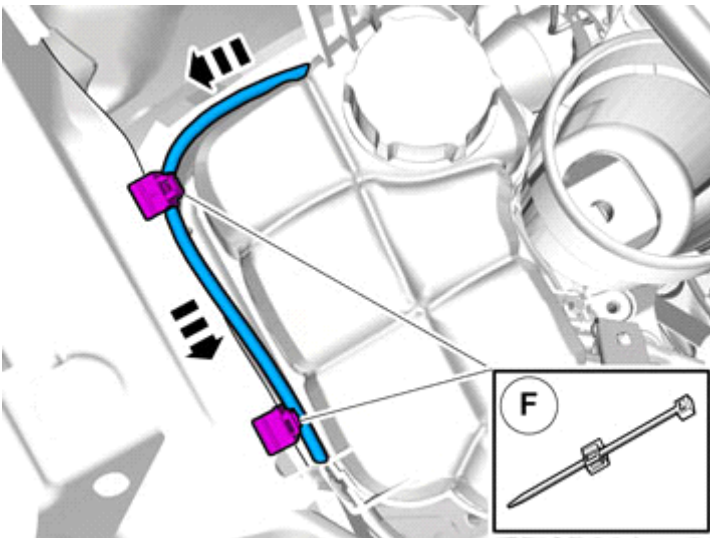
Make sure to locate the wiring in such a way that any damage caused by heat or excessive wear is avoided.

Note!

Do not yet tighten the clamps.

Route the ground wire next to the existing wiring harness.

75



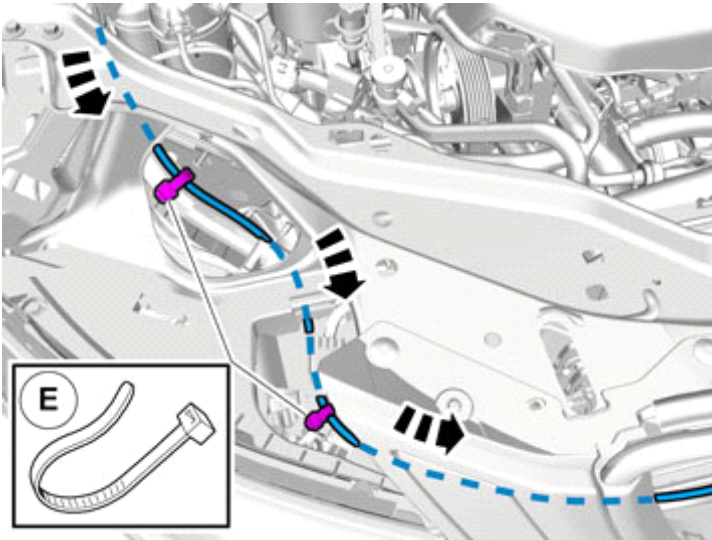
IMG-345886



Installation instructions, accessories

Volvo Car Corporation Gothenburg, Sweden

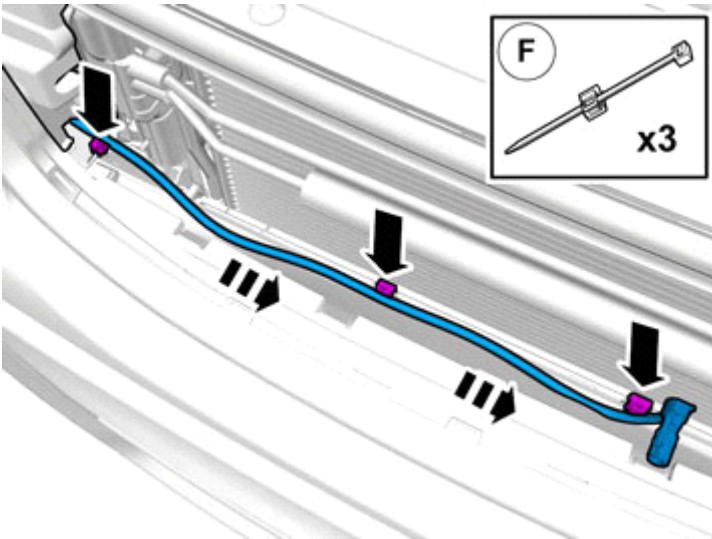
76



IMG-345887

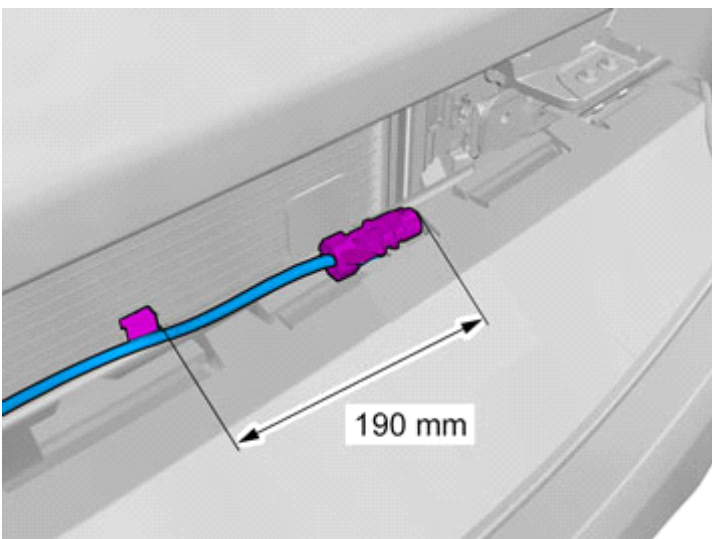
Route the cable harness to the existing cable harness.

77



IMG-345888

78



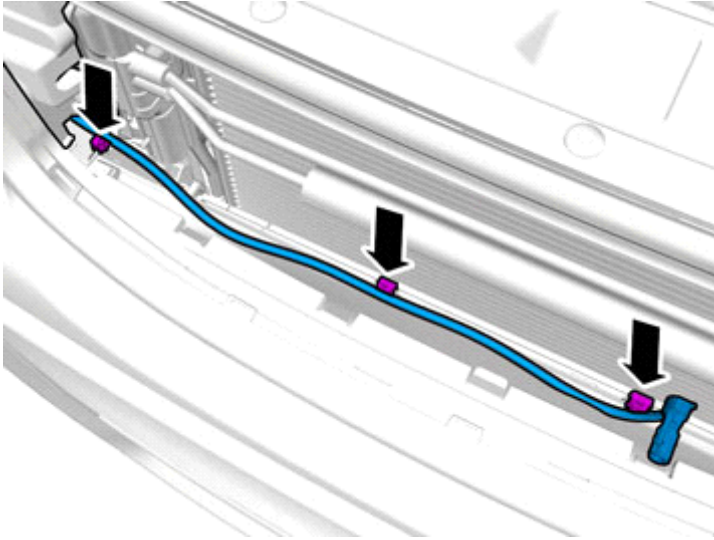
IMG-345889



Installation instructions, accessories

Volvo Car Corporation Gothenburg, Sweden

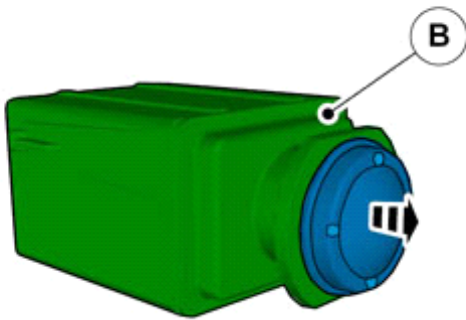
79



IMG-345890

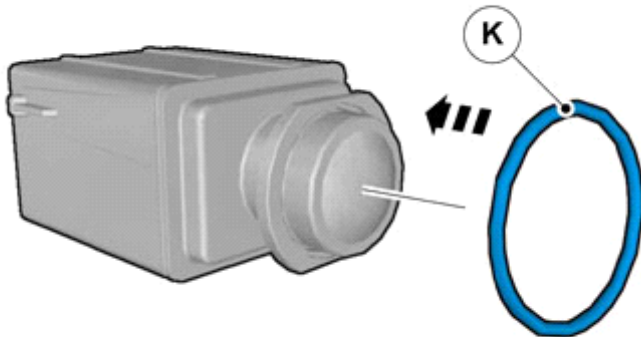
Caution!
Tighten clamps properly.

80



IMG-347781

81



IMG-347786

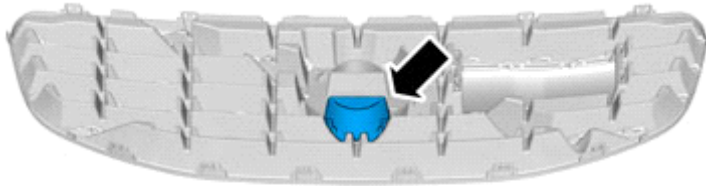


Installation instructions, accessories

Volvo Car Corporation Gothenburg, Sweden

82

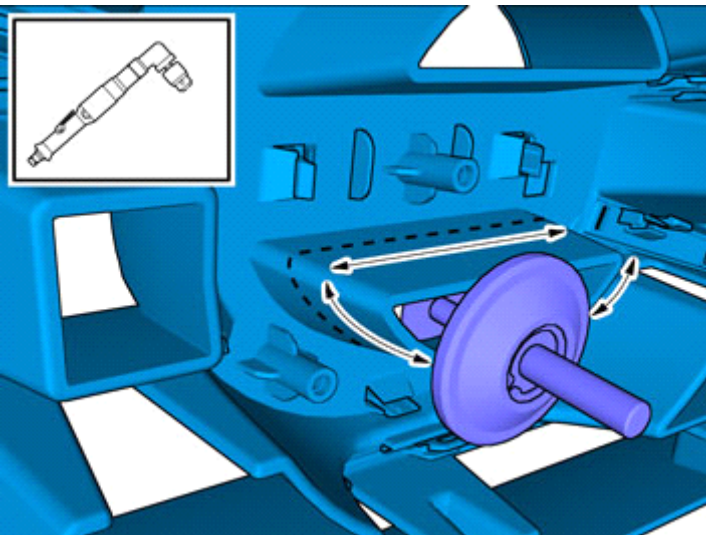
Note!
Orientation view



Note!
This step is easier with two people.

IMG-375872

83



Use: Angle drill machine

Use special tool: T9997482, Cutting tool

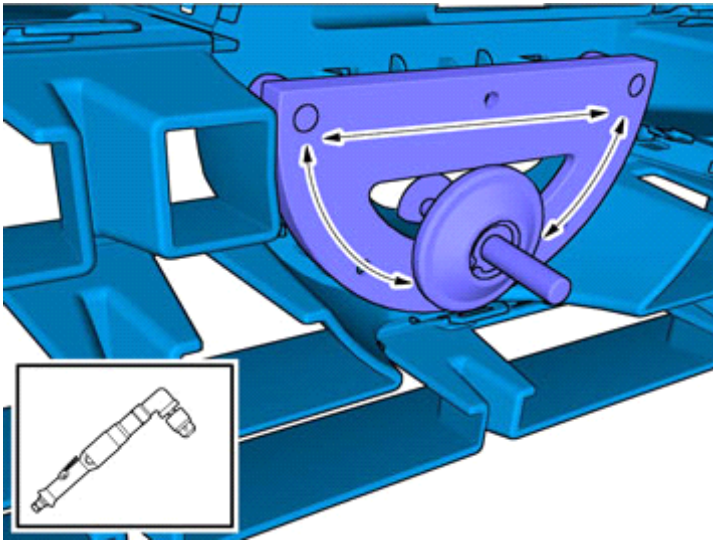
IMG-375871



Installation instructions, accessories

Volvo Car Corporation Gothenburg, Sweden

84

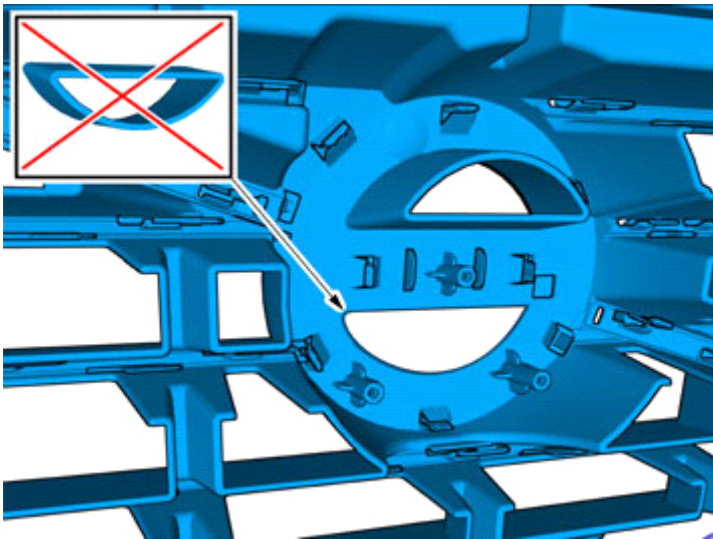


IMG-375843

Use: Angle drill machine

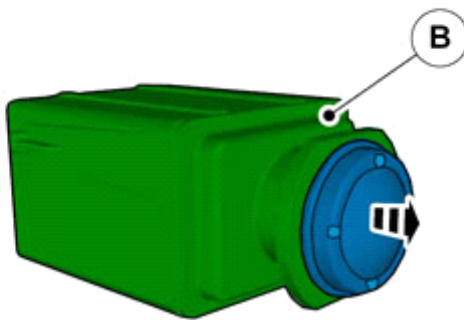
Use special tool: T9997482, Cutting tool

85



IMG-375883

86



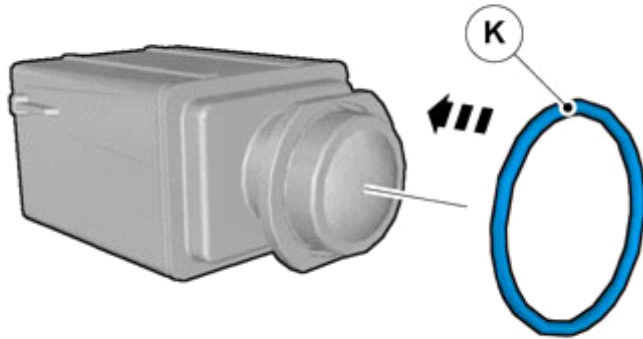
IMG-347781



Installation instructions, accessories

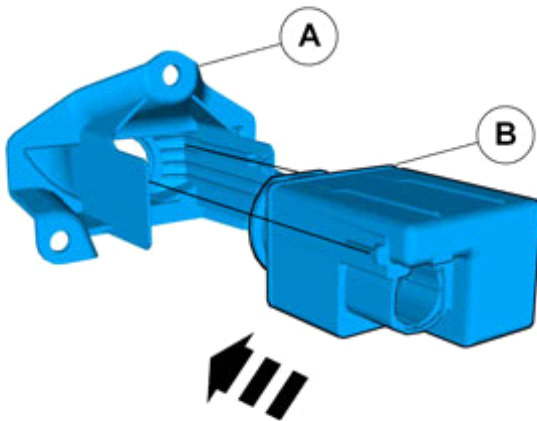
Volvo Car Corporation Gothenburg, Sweden

87



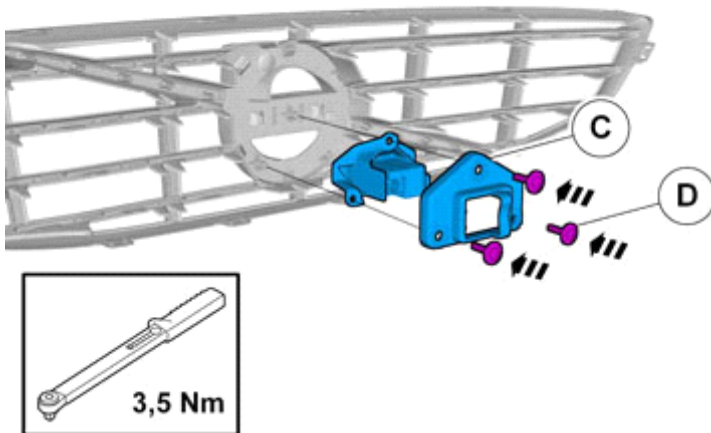
IMG-347786

88



IMG-374396

89



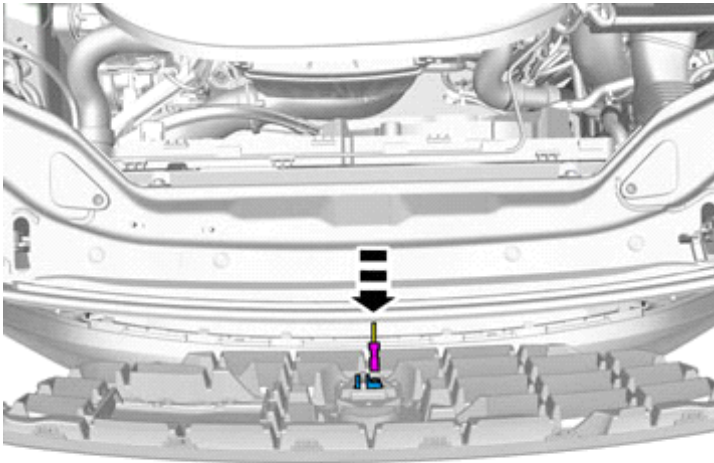
IMG-374391



Installation instructions, accessories

Volvo Car Corporation Gothenburg, Sweden

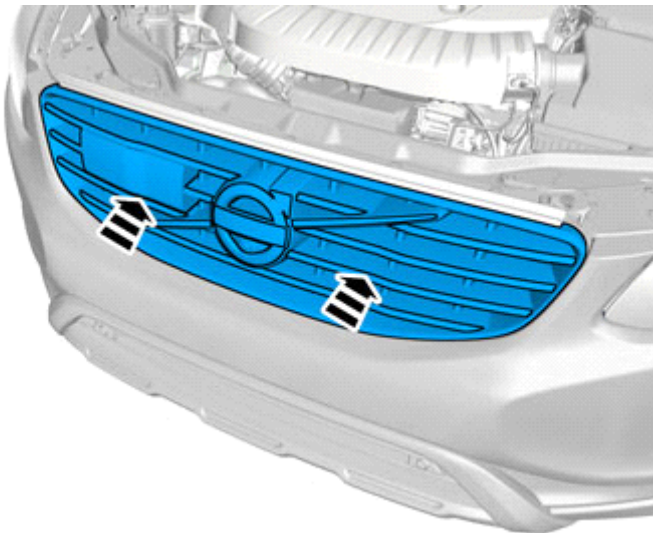
90



Connect the connector.

IMG-375891

91



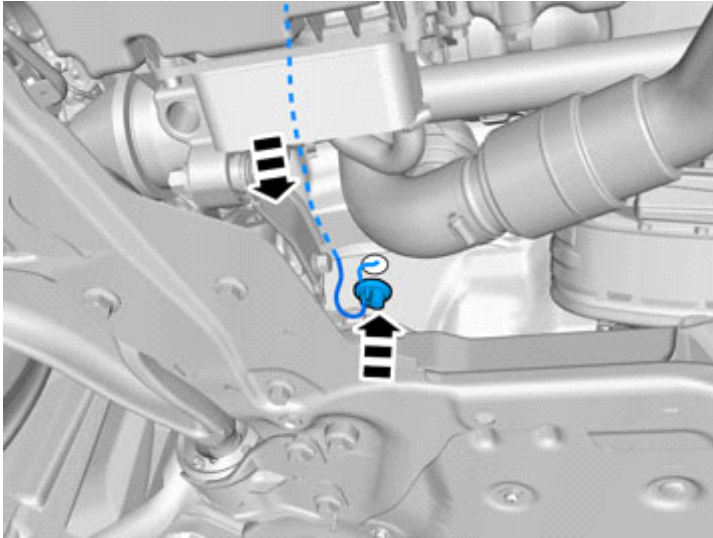
IMG-375895



Installation instructions, accessories

Volvo Car Corporation Gothenburg, Sweden

92



IMG-340544

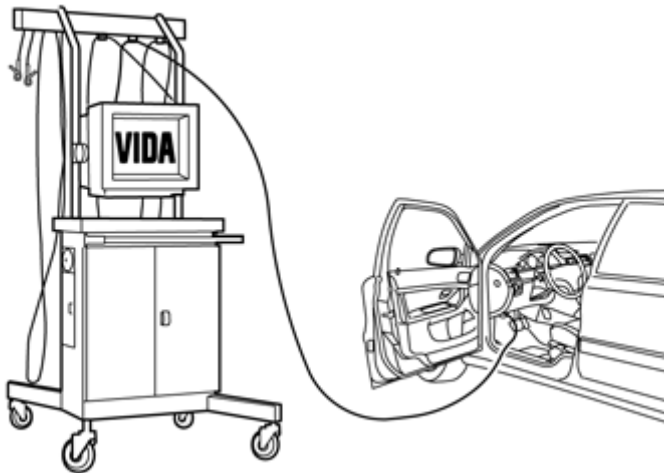
Caution!

Tighten clamps properly.

Insert the cable in to the passenger compartment, adjust the cable length out into the engine compartment and secure the rubber grommet.

Reinstall the removed parts in reverse order.

93



IMG-242268

Download software (application) for the accessory's function according to the service information in VIDA.

Order and download software according to: 31285245